

Cabinets – VARISTAR Datacom/Networking

VARISTAR NET



Side-by-side cabinet (without side panel) Single cabinet

01006012

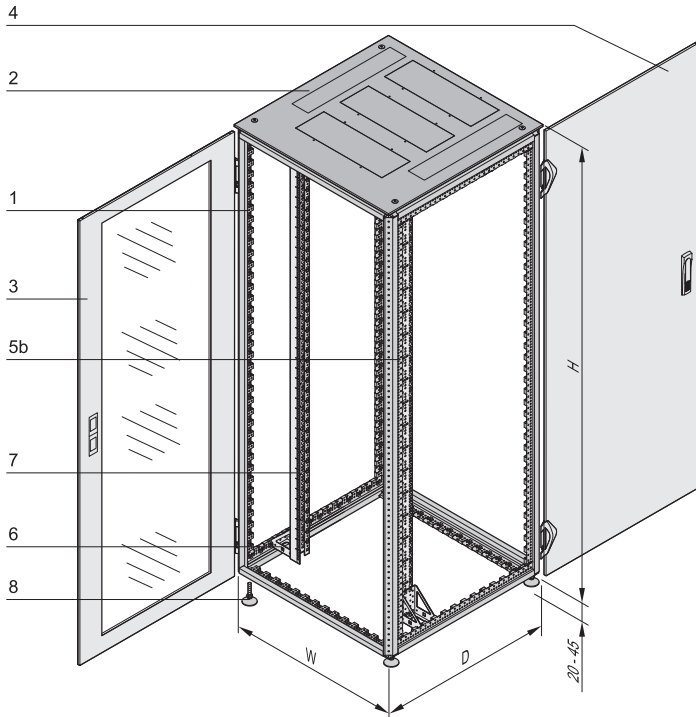
- Cabling cabinet with one 19" plane
- Type of protection IP 20
- Static load-carrying capacity up to 400 kg (Slim-Line)
- Available in two versions
 - Single cabinet (with side panel)
 - Side-by-side cabinet (with side-by-side mounting kit)

Delivery comprises (Completely assembled and earthed)

Item	Qty	Description
1	1	Welded basic frame (Slim-Line) from steel profiles, RAL 7021
2a	1	From cabinet height 42 U/47 U: top cover, St, RAL 7021, with prepunched perforation for subsequent assembly of brush strip, perforated cover plate or fan tray
2b	1	Cabinet height 24 U: top cover, St, RAL 7021, without cut-out zone
3	1	Front door: Frame, St, RAL 7035, with safety glass, 6 mm and 180° hinge, single point locking and lever handle (optionally with DIN profile half cylinder)
4	1	Rear door, St, RAL 7035, with 180° hinge, single point locking and lever handle (optionally retrofittable with DIN profile half cylinder)
5a	2	Single cabinet: side panels, St, RAL 7035, with quick-release fastener
5b	1	Side-by-side cabinet: 1 side-by-side mounting kit
6	4	Adaptor bracket for reduced width, St, finish AlZn, for assembly of 19" panel/slide mounts (only with 800 mm wide cabinets)
7	2	19" panel/slide mount, St, RAL 7035, with EIA perforation (assembled on reduced width adaptor bracket at cabinet width of 800 mm); at cabinet depth of 600 mm the space to the front door is 50 mm, at depth of 800 mm it is 150 mm, from cabinet depth of 900 mm the space is 70 mm; depth-adjustable in 25 mm increments
8	4	Adjustable foot
9	1	GND/earthing kit, assembled

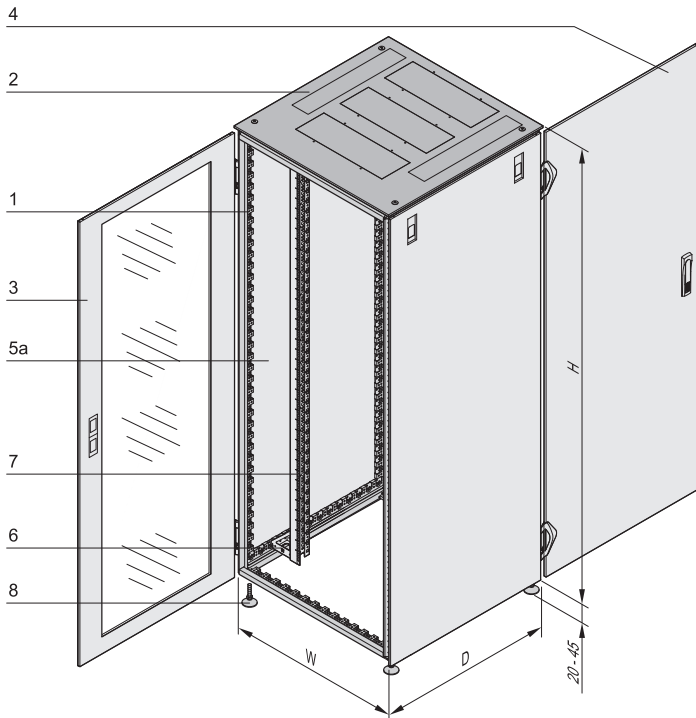
Cabinets – VARISTAR Datacom/Networking

VARISTAR NET



Side-by-side cabinet (without side panel)

01006100



Single cabinet

01006099

Order Information

Height U	Height H mm	Width W mm	Depth D mm	Side-by-side cabinet Part no.	Single cabinet Part no.
24	1200	600	600	10130-025	10130-024
24	1200	600	800	10130-027	10130-026
24	1200	600	900	10130-029	10130-028
24	1200	600	1000	10130-031	10130-030
24	1200	800	600	10130-033	10130-032
24	1200	800	800	10130-035	10130-034
24	1200	800	900	10130-037	10130-036
24	1200	800	1000	10130-039	10130-038
42	2000	600	600	10130-041	10130-040
42	2000	600	800	10130-043	10130-042
42	2000	600	900	10130-045	10130-044
42	2000	600	1000	10130-047	10130-046
42	2000	800	600	10130-049	10130-048
42	2000	800	800	10130-051	10130-050
42	2000	800	900	10130-053	10130-052
42	2000	800	1000	10130-055	10130-054
47	2200	600	600	10130-057	10130-056
47	2200	600	800	10130-059	10130-058
47	2200	600	900	10130-061	10130-060
47	2200	600	1000	10130-063	10130-062
47	2200	800	600	10130-065	10130-064
47	2200	800	800	10130-067	10130-066
47	2200	800	900	10130-069	10130-068
47	2200	800	1000	10130-071	10130-070
DIN profile half cylinder, common locking for lever handle (1 key fits all locks) incl. 2 keys					25127-995
Tilt protection for base mounting is screwed to the floor, PU 2 pieces					23130-386

Note

- The 24 U cabinet has a top cover without prepunched perforation (not suitable for retrofitting with brush strips, fan tray, etc.)
- A standard cabinet can be expanded simply with additional components, see from page 1.179



For further information www.schroff.biz/oneclick
oneClick search code = Part no.



ServicePLUS see page 1.156

Cabinets – VARISTAR Datacom/Networking

VARISTAR NET Plus



Side-by-side cabinet (without side panel)

Single cabinet

01006011

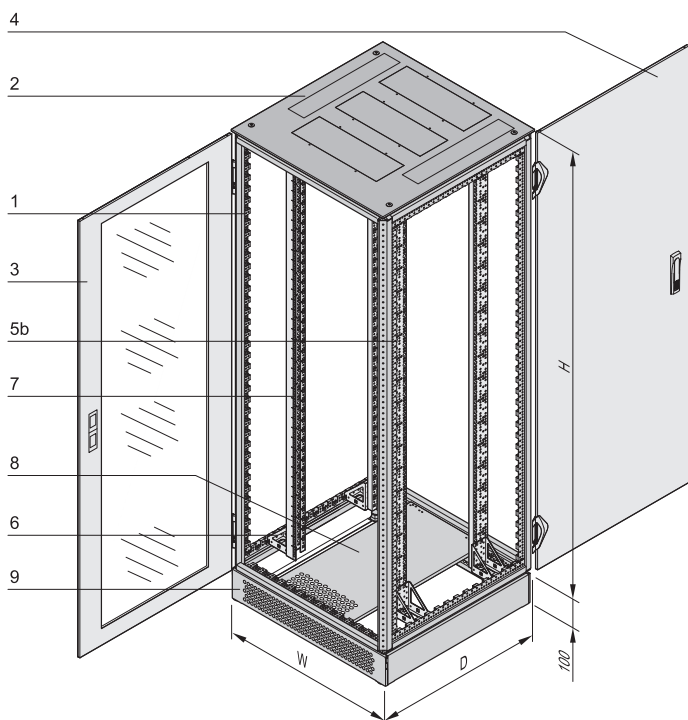
- Cabling cabinet with two 19" planes and base/plinth
- Type of protection IP 20
- Static load-carrying capacity up to 400 kg (Slim-Line)
- Available in two versions
 - Single cabinet (with side panels)
 - Side-by-side cabinet (with side-by-side mounting kit)

Delivery comprises (Completely assembled and earthed)

Item	Qty	Description
1	1	Welded basic frame (Slim-Line) from steel profiles, RAL 7021
2a	1	From cabinet height 42 U/47 U: top cover, St, RAL 7021 with prepunched perforation for subsequent assembly of brush strip, perforated cover plate or fan tray
2b	1	Cabinet height 24 U: top cover, St, RAL 7021, without cut-out zone
3	1	Front door: frame St, RAL 7035, with safety glass 6 mm and 180° hinge, single point locking and lever handle (optionally with DIN profile half cylinder)
4	1	Rear door, St, RAL 7035, with 180° hinge, single point locking and lever handle (optionally retrofittable with DIN profile half cylinder)
5a	2	Single cabinet: side panels, St, RAL 7035, with quick-release fastener
5b	1	Side-by-side cabinet: 1 side-by-side mounting kit
6	4	Adaptor bracket for reduced width, St, finish AlZn, for assembly of 19" panel/slide mounts (only with 800 mm wide cabinets)
7	4	19" panel/slide mount, St, RAL 7035, with EIA perforation (800 mm wide cabinets: assembled on the adaptor bracket for reduced width), 600 mm cabinet depth: distance to front door 50 mm, at 800 mm 150 mm, from 900 mm cabinet depth: 70 mm; depth-adjustable in 25 mm increments
8	1	Base plate for lateral cable ducting, St, RAL 7021, subsequent lateral assembly of brush strip possible
9	1	Base/plinth, St, RAL 7021, height 100 mm with front and rear ventilation trim, mounted base/plinth trims, integrated feet
10	1	GND/earthing kit, assembled

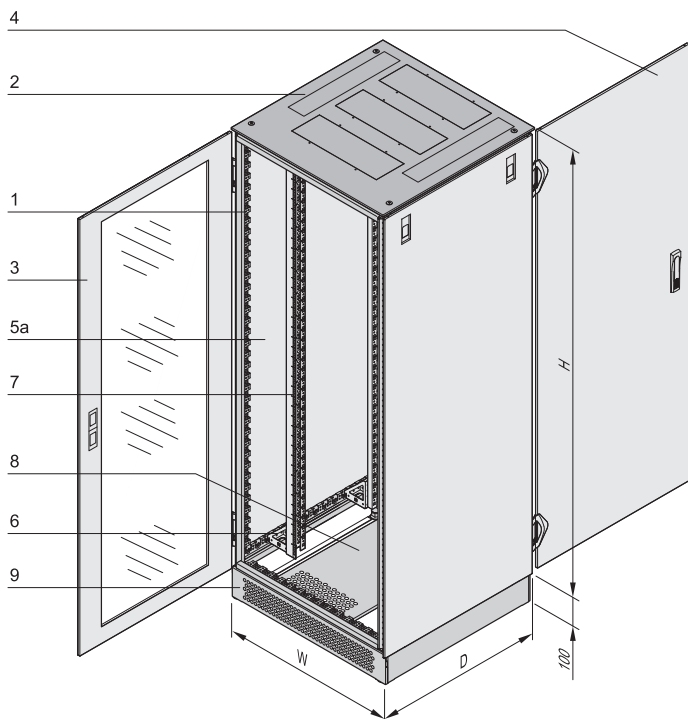
Cabinets – VARISTAR Datacom/Networking

VARISTAR NET Plus



Side-by-side cabinet

01005102



Single cabinet

01005101

Order Information

Height U	Height H mm	Width W mm	Depth D mm	Side-by-side cabinet Part no.	Single cabinet Part no.
24	1200	600	600	10130-073	10130-072
24	1200	600	800	10130-075	10130-074
24	1200	600	900	10130-077	10130-076
24	1200	600	1000	10130-079	10130-078
24	1200	800	600	10130-081	10130-080
24	1200	800	800	10130-083	10130-082
24	1200	800	900	10130-085	10130-084
24	1200	800	1000	10130-087	10130-086
42	2000	600	600	10130-089	10130-088
42	2000	600	800	10130-091	10130-090
42	2000	600	900	10130-093	10130-092
42	2000	600	1000	10130-095	10130-094
42	2000	800	600	10130-097	10130-096
42	2000	800	800	10130-099	10130-098
42	2000	800	900	10130-101	10130-100
42	2000	800	1000	10130-103	10130-102
47	2200	600	600	10130-105	10130-104
47	2200	600	800	10130-107	10130-106
47	2200	600	900	10130-109	10130-108
47	2200	600	1000	10130-111	10130-110
47	2200	800	600	10130-113	10130-112
47	2200	800	800	10130-115	10130-114
47	2200	800	900	10130-117	10130-116
47	2200	800	1000	10130-119	10130-118
DIN profile half cylinder, common locking for lever handle (1 key fits all locks) incl. 2 keys					25127-995
Tilt protection for base mounting is screwed to the floor, PU 2 pieces					23130-386

Note

- The 24 U cabinet has a top cover without prepunched perforation (not suitable for retrofitting with brush strips, fan tray, etc.)
- A standard cabinet can be expanded simply with additional components, see from page 1.179



For further information www.schroff.biz/oneclick
oneClick search code = Part no.



ServicePLUS see page 1.156

Cabinets – VARISTAR Datacom/Networking

VARISTAR Server



Black grey side-by-side cabinet

Single cabinet

01006014



Colour combination black grey/light grey
Side-by-side cabinet/single cabinet

01006013

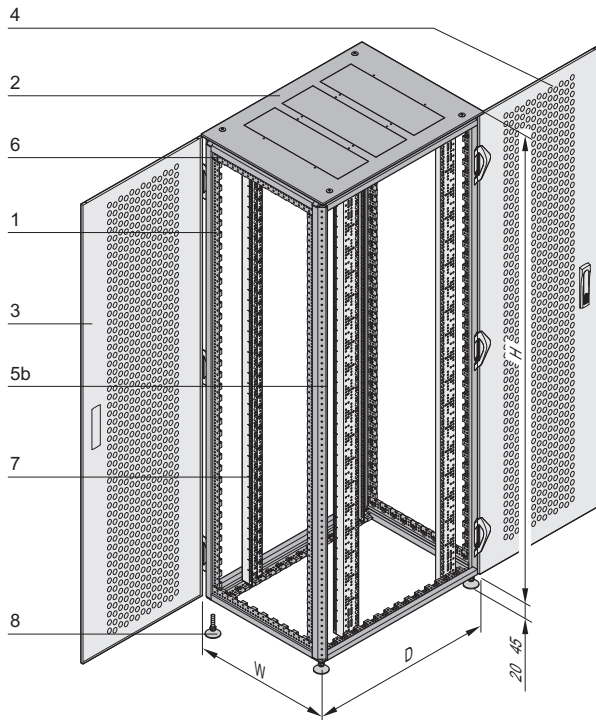
- Server cabinet with perforated doors, air flow rate 78%
- Type of protection IP 20
- Load-carrying capacity 800 kg tested to IEC 61587, static load-carrying capacity up to 1200 kg (Heavy-Duty)
- Can accommodate various different servers
- Available in two versions:
 - Single cabinet (with side panels)
 - Side-to-side cabinet (with side-to-side mounting kit)
- Available in two colour schemes:
 - black grey RAL 7021
 - black grey/light grey (RAL 7021/7035)

Delivery comprises (Completely assembled and earthed)

Item	Qty	Description
1	1	Welded basic frame (Heavy-Duty) from steel profiles, RAL 7021
2a	1	From cabinet height 42 U/47 U: top cover, St, RAL 7021 with prepunched perforation for subsequent assembly of brush strip, perforated cover plate or fan tray
2b	1	Cabinet height 24 U: top cover, St, RAL 7021, without cut-out zone
3	1	Front door, St, colour RAL 7035 or RAL 7021 (see Order Information), with 180° hinge and perforation, 4-point locking and lever handle (optionally retrofittable with DIN profile half cylinder)
4	1	Rear door, St, colour RAL 7035 or RAL 7021 (see Order Information), with 180° hinge and perforation, 4-point locking and lever handle (optionally retrofittable with DIN profile half cylinder)
5a	2	Single cabinet: side panels screw-fixed, St, colour RAL 7035 or RAL 7021 (see Order Information), with inside locking
5b	1	Side-by-side cabinet: 1 side-by-side mounting kit
6	8	Adaptor bracket for reduced width, St, finish AlZn, for assembly of 19" panel/slide mounts (only with 800 mm wide cabinets)
7	4	19" panel/slide mounts, St, colour RAL 7035 or RAL 7021 (see Order Information), assembled in 740 mm mounting increments
8	4	Adjustable foot
9	1	GND/earthing kit, assembled

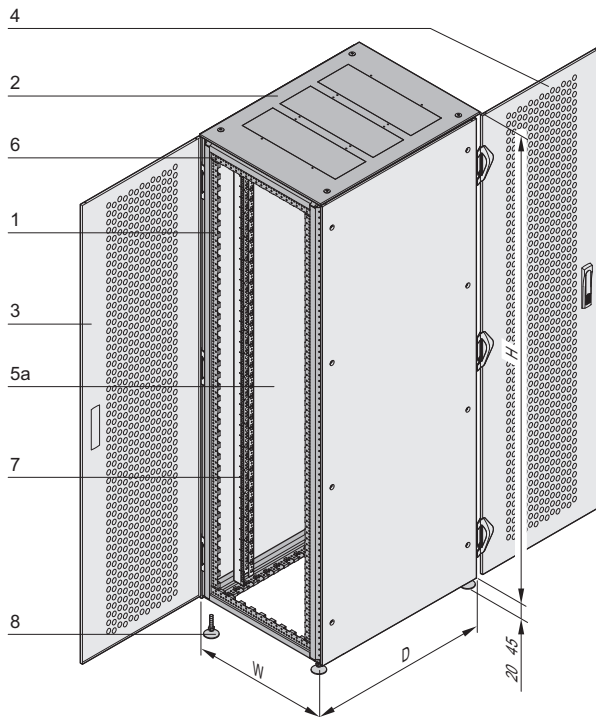
Cabinets – VARISTAR Datacom/Networking

VARISTAR Server



Side-by-side cabinet

01006060



Single cabinet

01006059



ServicePLUS see page 1.156

Order Information

Height U	Height H mm	Width W mm	Depth D mm	Colour	Side-by-side cabinet Part no.	Single cabinet Part no.
24	1200	600	900	black grey	10130-121	10130-120
24	1200	600	1000		10130-123	10130-122
24	1200	600	1200		10130-125	10130-124
24	1200	800	900		10130-127	10130-126
24	1200	800	1000		10130-129	10130-128
42	2000	600	900		10130-131	10130-130
42	2000	600	1000		10130-133	10130-132
42	2000	600	1200		10130-135	10130-134
42	2000	800	900		10130-137	10130-136
42	2000	800	1000		10130-139	10130-138
42	2000	800	1200		10130-141	10130-140
47	2200	600	900		10130-143	10130-142
47	2200	600	1000		10130-145	10130-144
47	2200	600	1200		10130-147	10130-146
47	2200	800	900	10130-149	10130-148	
47	2200	800	1000	10130-151	10130-150	
47	2200	800	1200	10130-153	10130-152	
24	1200	600	900	combination black grey / light grey	10130-155	10130-154
24	1200	600	1000		10130-157	10130-156
24	1200	600	1200		10130-159	10130-158
24	1200	800	900		10130-161	10130-160
24	1200	800	1000		10130-163	10130-162
42	2000	600	900		10130-165	10130-164
42	2000	600	1000		10130-167	10130-166
42	2000	600	1200		10130-169	10130-168
42	2000	800	900		10130-171	10130-170
42	2000	800	1000		10130-173	10130-172
42	2000	800	1200		10130-175	10130-174
47	2200	600	900		10130-177	10130-176
47	2200	600	1000		10130-179	10130-178
47	2200	600	1200		10130-181	10130-180
47	2200	800	900	10130-183	10130-182	
47	2200	800	1000	10130-185	10130-184	
47	2200	800	1200	10130-187	10130-186	

DIN profile half cylinder, common locking for lever handle (1 key fits all locks) incl. 2 keys **25127-995**

Tilt protection for base mounting is screwed to the floor, PU 2 pieces **23130-386**

Note

- The 24 U cabinet has a top cover without prepunched perforation (not suitable for retrofitting with brush strips, fan tray, etc.)
- A standard cabinet can be expanded simply with additional components, see from page 1.179



For further information www.schroff.biz/oneclick
OneClick search code = Part no.