

Magnetic Float Switches / Stainless steel - Displacer

Type

ALE/V/FE-25/16/B1-V/..-M../12/V/60/2-SVK44/15/A-HH

ALE/V/FE-25/16/B1-V/..-M../12/V/60/2-SVK44/15/A-HV

Material quality:	1.4404 / 1.4435 / 1.4571 (316L / 316Ti)	1.4404 / 1.4435 / 1.4571 (316L / 316Ti)
Electrical connection:	ALE Aluminium terminal box	ALE Aluminium terminal box
Process connection:	Flange EN DN 25 / PN 16 / Form B1	Flange EN DN 25 / PN 16 / Form B1
Bypass chamber:	Ø 60.30 x 2.00 mm	Ø 60.30 x 2.00 mm
Centre distance:	≤ 1000 mm	≤ 1000 mm
Float:	SVK44/15/A Ø 44 mm	SVK44/15/A Ø 44 mm
Specific gravity:	≥ 800 kg/m ³	≥ 800 kg/m ³
Design pressure:	-1 bar ... 16 bar	-1 bar ... 16 bar
Design temperature:	-30°C ... 180°C (optional 250°C)	-30°C ... 180°C (optional 250°C)
Ingress protection class:	IP 65	IP 65
Mounting position:	Vertical +/-30°	Vertical +/-30°

Level switch function

Function:	Normally open / S	Normally open / S
Switching capacity:	230 V / 1.0 A / 100 VA	230 V / 1.0 A / 100 VA
Maximal number of contacts:	4 pieces (5 pieces with ALF terminal box)	4 pieces (5 pieces with ALF terminal box)
Function:	Normally closed / O	Normally closed / O
Switching capacity:	230 V / 0.5 A / 40 VA	230 V / 0.5 A / 40 VA
Maximal number of contacts:	4 pieces (5 pieces with ALF terminal box)	4 pieces (5 pieces with ALF terminal box)
Function:	Change over / U	Change over / U
Switching capacity:	230 V / 0.5 A / 40 VA	230 V / 0.5 A / 40 VA
Maximal number of contacts:	3 pieces (4 pieces with ALF terminal box)	3 pieces (4 pieces with ALF terminal box)

Option temperature probe / Page 112

Temperature probe:	Pt-100 / Pt-1000	Pt-100 / Pt-1000
Norm:	IEC 751 Kl.B	IEC 751 Kl.B

Option temperature switch / Page 112

Function:	Normally closed or normally open	Normally closed or normally open
Switching capacity:	Page 112	Page 112
Accuracy / Hysteresis:	Page 112	Page 112
Temperature / Grading:	Page 112	Page 112

Minimum measures

ALE/V/FE-25/16/B1-V/..-M../12/V/60/2-SVK44/15/A-HH
 L1: ≥ 130 mm
 U: 45 mm
 Contact distance: ≥ 20 mm
 Float distance: ≥ 70 mm

Approvals / Certificates

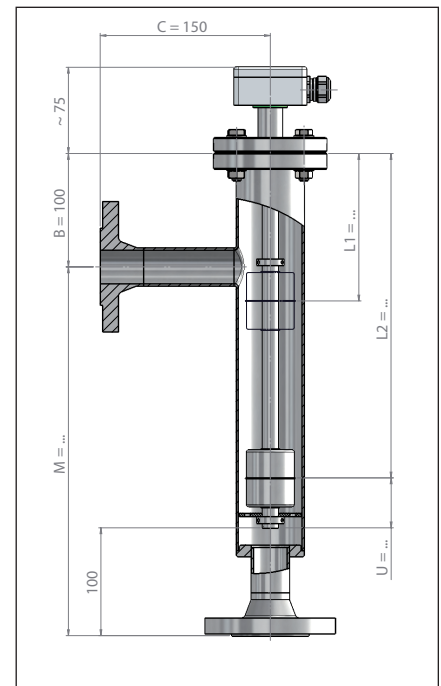
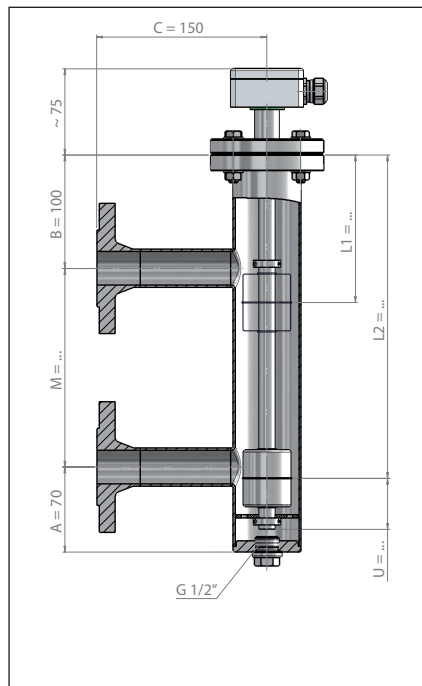
ATEX / PED / GOST / GL / BV / ABS / SIL1

Minimum measures

ALE/V/FE-25/16/B1-V/..-M../12/V/60/2-SVK44/15/A-HV
 L1: ≥ 130 mm
 U: 45 mm
 Contact distance: ≥ 20 mm
 Float distance: ≥ 70 mm

Approvals / Certificates

ATEX / PED / GOST / GL / BV / ABS / SIL1



The magnetic float switches are based on a modular design and can be arranged individually.

Type key page 62 - 65