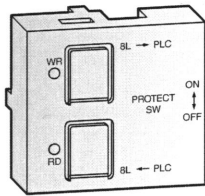
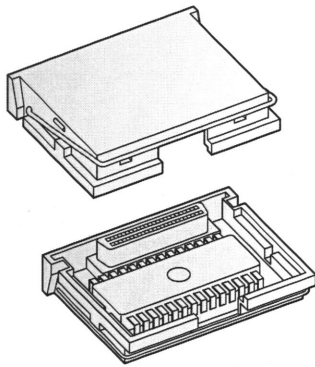


Memory Cassettes

FX1N FX2N FX2NC

BASICS



All FX1S, FX1N and FX2N base units are equipped with a slot for the optional, robust FX memory cassettes.

By connection of these memory cassettes, the internal memory of the controller is switched off and only the program specified in the respective memory cassette is run.

The memory size can be extended for all FX2N controllers up to 16,000 steps with the memory cassette FX-RAM-8.

The FX1N-EEPROM-8L is a program memory, which is a writing/reading unit for data transfer at the same time.

The FX2N-ROM-E1 memory module simplifies the direct communication between the FX2N and the Mitsubishi Electric frequency inverters of the series FR-S500, FR-E500, and FR-A500.

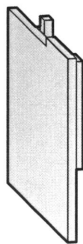
The FX2N-ROM-E1 technically corresponds to the FX-EEPROM-16.

Specifications	FX-RAM-8	FX-EPROM-8	FX-EEPROM-4
Memory type	RAM	EPROM	EEPROM
Size	16,000 steps (FX2N)	8,000 steps	4,000 steps
Applicable for CPU type	FX2N	FX2N	FX2N
Order information	Art. no. 23823	23824	23825

Specifications	FX-EEPROM-8	FX1N-EEPROM-8L	FX-EEPROM-16	FX2N-ROM-E1
Memory type	EEPROM	EEPROM	EEPROM	EEPROM
Size	8000 steps	2000/8000 steps	16000 steps	16000 steps
Applicable for CPU type	FX2N	FX1S/FX1N	FX2N	FX2N
Order information	Art. no. 23826	130746	65600	141528

Memory and Real-time Clock Cassettes

FX1N FX2N FX2NC



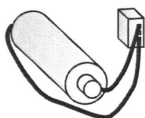
All the FX2NC base units have a slot for adding a memory and real-time clock cassettes. The FX2NC-ROM-CE1 module contains both EEPROM memory and a real-time clock. The FX2NC-EEPROM-16 provides only memory, without the clock feature, and the FX2NC-RTC is a real-time clock cassette for the FX2NC PLCs without any additional memory.

The FX2NC-ROM-CE1 module contains both EEPROM memory and a real-time clock. The FX2NC-EEPROM-16 provides only memory, without the clock feature, and the FX2NC-RTC is a real-time clock cassette for the FX2NC PLCs without any additional memory.

Specifications	FX2NC-ROM-CE1	FX2NC-EEPROM-16	FX2NC-RTC
Memory type	EEPROM + RTC	EEPROM	RTC (real time clock)
Size	16,000 steps	16,000 steps	—
Applicable for CPU type	FX2NC	FX2NC	FX2NC
Order information	Art. no. 149016	104507	137206

Batteries F2-40BL and FX2NC-32BL

FX1N FX2N FX2NC



The battery buffers the internal RAM of the MELSEC PLC in the event of a voltage failure. The battery F2-40BL can be used for all base units of the MELSEC FX2N series.

The battery FX2NC-32BL is suitable for all base units of the MELSEC FX2NC series and for the positioning modules FX2N-20GM.

Specifications	F2-40BL	FX2NC-32BL
Application	FX2N base units	FX2NC base units and FX2N-20GM
Order information	Art. no. 5142	128725