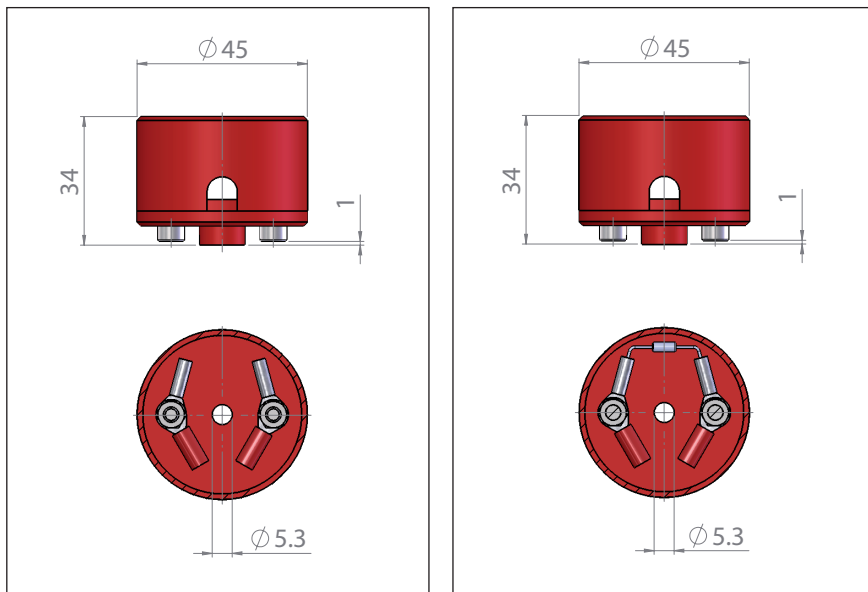


Type	AF (Cascade electrode)	AFE (End electrode)
Power supply:	-	-
Input:	-	-
Output:	-	-
Safety insulation:	-	-
Sensitivity range:	-	-
Distance of the electrodes:	1.0 mm	1.0 mm
Terminating resistor:	-	240 kOhm
Dimensions:	ø 45.0 x 34.0 mm	ø 45.0 x 34.0 mm
Housing material quality:	PVC / Stainless steel	PVC / Stainless steel
Ambient temperature:	-40°C ... 60°C	-40°C ... 60°C
Atomspheric humidity:	-	-
Weight:	30 g	30 g
Ingress protection class (Housing / Connections):	-	-
LED-Display:	-	-
Function:	Cascade electrode for connection to Leckage detector GL100.. / GL1101	End electrode for connection to Leckage detector GL100.. / GL1101
EMV 83/336/EG:	-	-
Mounting bore:	ø 5.0 mm	ø 5.0 mm
Approvals / Certificates:	-	-



Type key page 213