

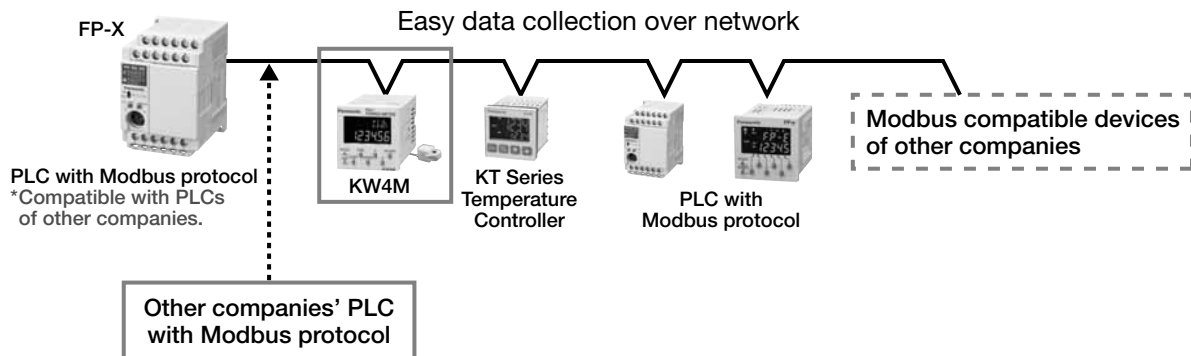
## KW4M Eco-POWER METER Modbus Type



We would like to inform you that we have added two new models Modbus type to KW4M Eco-POWER METERS. Ideal for simple power measuring to prevent waste and to manage individual power usage in buildings and factories, we expect demand to increase greatly for these products. Therefore, we ask you in earnest to expand your sales activities, especially now.

### Features

1. Greater visibility with 16-segment LCD
2. Expanded basic functionality
3. Compatible with four types of CT
4. Supports 400 V AC power supply (When using external voltage transformer)
- New** 5. Equipped with Modbus (RTU) for communications (AKW5112 and AKW5212)



### Product Types

Terminal type	Communication protocol	Model No.
Screw terminal	Mewtocol	AKW5111
	Modbus (RTU)	<b>New</b> AKW5112
11 pins	Mewtocol	AKW5211
	Modbus (RTU)	<b>New</b> AKW5212

\* KW Monitor is only compatible with Mewtocol protocol. The Modbus type cannot be used.

\* Each dedicated current transformer (CT) is same as previous.

\* Modbus Protocol is a communication protocol for PLCs developed by Modicon Inc.

### Schedule of Release

To be released in March 2008

### Leaflet

Leaflet: Please refer to AACT1B54E.

\*This leaflet will be sent out in February.