



Main Features

- Intel® Atom™ E620 Platform
- Ultra Low Power Consumption
- Slim and Fanless
- Hyper-Threading Support
- TV Tuner/ WLAN Support

Product Overview

Powered by Intel® Atom™ E620, NDiS 111 can play rich multi-media contents with low power consumption. NDiS 111 is enclosed in a compact chassis and can be easily integrated to display devices, such as LCD TV or PDP at site installation with DVI display, Giga LAN, TV tuner and WLAN support. NDiS 111 is suitable as an entry level digital signage player for advertising, messaging, and brand promotion.

Specifications

CPU Support

- Intel® Atom™ E620 600 MHz CPU onboard

Chipset

- Intel® EG20T PCH
- Intel® Integrated Graphic Engine

Main Memory

- DDR 2 512MB onboard

I/O Interface-Front

- 1 x LED Power-On
- 1 x LED Storage
- 1 x On/ Off Power Switch

I/O Interface-Rear

- 1 x RJ45 with LED for 10/100/1000 Mbps Ethernet
- 1 x Line-out
- 2 x DVI (1 x DVI-I and 1 x DVI-D)
- 1 x USB
- 2 x antenna hole for Wi-Fi and TV tuner
- 12V DC Power In

Storage

- 1 x SATA DOM socket

Expansion

- 1 x Mini-PCIe for optional TV tuner or WLAN module

Dimensions

- 179.9mm (W) x 114.9mm (D) x 37.5mm (H) w/o mounting bracket

Power Supply

- 1 x External 60W AC/DC power adaptor
- Input: 100~240V AC
- Output: +12V DC

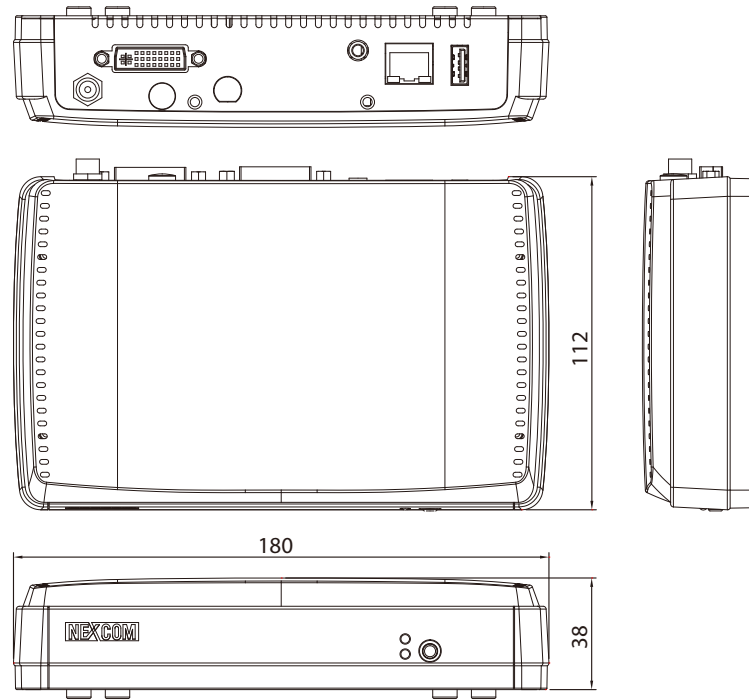
Environment

- Operating Temperature: Ambient with air flow from 0°C to 40°C
- Storage Temperature: -20°C to 80°C
- Humidity: 10 to 90% (Non-condensing)

Certification

- CE approval
- FCC Class A

Dimension Drawing



Ordering Information

- **NDiS 111 (P/N: 10W00011100X0)**
Intel® E620 processor onboard, Intel® EG20T PCH