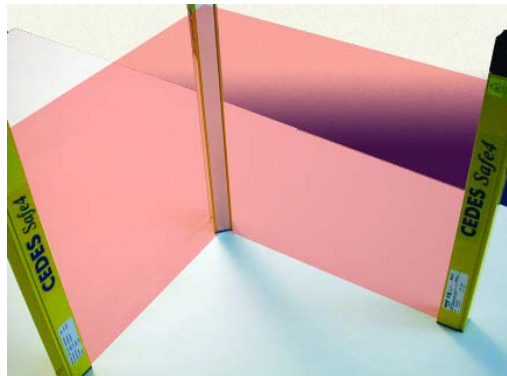


Safety simply mirrored



Safety Mirror30

Deflective safety mirror for the Safe2+ / Safe4 safety light curtain



ISO 9001: 2000

Description

The Safety Mirror30 from CEDES is a high-quality mirror with the compact and sturdy profile of the well-known Safe2+ / Safe4 program. Of particular advantage is the laser alignment system ILAS integrated in the CEDES light curtains which facilitate alignment of the mirror, despite its narrow structure.

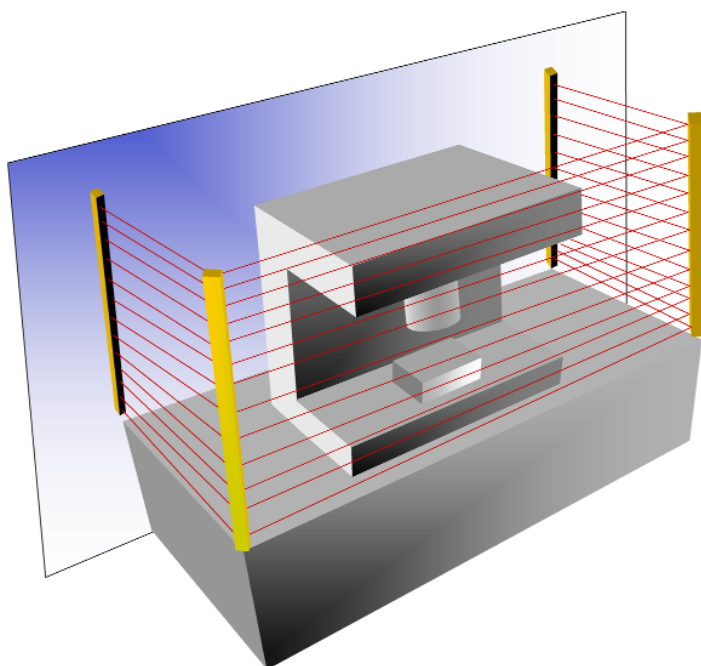
Utilization of the mirror leads to considerable savings in many applications. This reflection allows different areas to be made safe simultaneously with just one safety light curtain. This makes the purchase of several light curtains and several safety relays unnecessary. Moreover, the expense for installation and wiring is greatly reduced.

Thanks to the robustness of the CEDES Safety Mirror30, it is perfect for extreme industrial conditions. On request, the mirror is also available as a high-quality metalized polycarbonate, designed for use in the food industry.

Features

- Simple installation and adjustment
- Extremely compact and stable construction
- Inexpensive
- Mirror surface with excellent reflection characteristics
- $\pm 4^\circ$ adjustable
- Length freely selectable
- Polycarbonate mirror available upon request

Application example



Technical Data

Profile dimensions:

- Width 30 mm
- Depth 40 mm

Mirror substrate Glass (Polycarbonate on demand)

Mirror surface Rear surface mirror with passivated aluminum

Reflectivity 80 %

Operating range

- Resolution 14 mm 7.2 m
- Resolution 30 mm 14.4 m (with one mirror)

Loss in operating range 20 % (per mirror)

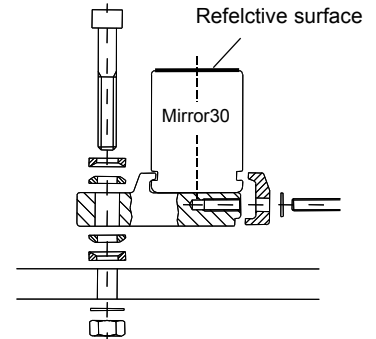
Temperature range 0 ... +55°C

Safety Mirror30

Maximum operating range

Number of mirrors	Operating range Safe2+ / Safe4 resolution 14 mm [m]	Operating range Safe2+ / Safe4 resolution 30 mm [m] (optional)
0	9	18 (30)
1	7.2	14.4 (24)
2	5.7	11.5 (19.2)
3	4.6	9.2 (15.4)

Mounting



Recommended mirror lengths

Number of modules Safe2+ / Safe4	Protection height Safe2+ / Safe4 [m]	Length of mirror [mm]	Profile dimensions (incl. end caps) [m]	Mirror description
1	120	200	206	S0M-200ACD
2	240	320	326	S0M-320ACD
3	360	440	446	S0M-440ACD
4	480	560	566	S0M-560ACD
5	600	680	686	S0M-680ACD
6	720	800	806	S0M-800ACD
7	840	920	926	S0M-920ACD
8	960	1'040	1'046	S0M-1040ACD
9	1'080	1'160	1'166	S0M-1160ACD
10	1'200	1'280	1'286	S0M-1280ACD
11	1'320	1'400	1'406	S0M-1400ACD

Other lengths are available upon request.

Ordering information

Part No.	Type	Description
103 006	Safety Mirror30	Safety Mirror30 S0M-XXX-ACD (XXX = Mirror length according to specification)

060126 Part No. 001 047 E

CEDES reserves the right to change or modify technical information without notice.