

Type**ALE/V/R-1½-V...-L.../12-SVK44/15/A****ALE/V/R-2-V...-L.../12-SV52/15/A**

Material quality:	1.4404 / 1.4435 / 1.4571 (316L / 316Ti)	1.4404 / 1.4435 / 1.4571 (316L / 316Ti)
Electrical connection:	ALE Aluminium terminal box	ALE Aluminium terminal box
Process connection:	G 1½"	G 2"
Guide tube:	Ø 12 mm (optional Ø 14 mm)	Ø 12 mm (optional Ø 14 mm)
Length of instrument:	≤ 5000 mm*	≤ 5000 mm*
Float:	SVK44/15/A Ø 44 mm	SV52/15/A Ø 52 mm
Specific gravity:	≥ 800 kg/m³	≥ 680 kg/m³
Design pressure:	-1 bar ... 25 bar	-1 bar ... 30 bar
Design temperature:	-30°C ... 180°C (optional 250°C)	-30°C ... 180°C (optional 250°C)
Ingress protection class:	IP 65	IP 65
Mounting position:	Vertical +/-30°	Vertical +/-30°

Level switch function

Function:	Normally open / S	Normally open / S
Switching capacity:	230 V / 1.0 A / 100 VA	230 V / 1.0 A / 100 VA
Maximal number of contacts:	4 pieces (5 pieces with ALF terminal box)	4 pieces (5 pieces with ALF terminal box)
Function:	Normally closed / O	Normally closed / O
Switching capacity:	230 V / 0.5 A / 40 VA	230 V / 0.5 A / 40 VA
Maximal number of contacts:	4 pieces (5 pieces with ALF terminal box)	4 pieces (5 pieces with ALF terminal box)
Function:	Change over / U	Change over / U
Switching capacity:	230 V / 0.5 A / 40 VA	230 V / 0.5 A / 40 VA
Maximal number of contacts:	3 pieces (4 pieces with ALF terminal box)	3 pieces (4 pieces with ALF terminal box)

Option temperature probe / Page 112

Temperature probe:	Pt-100 / Pt-1000	Pt-100 / Pt-1000
Norm:	IEC 751 KI.B	IEC 751 KI.B

Option temperature switch / Page 112

Function:	Normally closed or normally open	Normally closed or normally open
Switching capacity:	Page 112	Page 112
Accuracy / Hysteresis:	Page 112	Page 112
Temperature / Grading:	Page 112	Page 112

Minimum measures

ALE/V/R-1½-V...-L.../12-SVK44/15/A
L1: ≥ 50 mm
U: 45 mm
Contact distance: ≥ 20 mm
Float distance: ≥ 70 mm

Approvals / Certificates

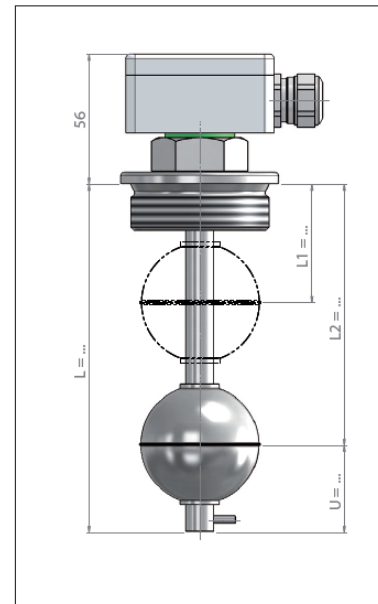
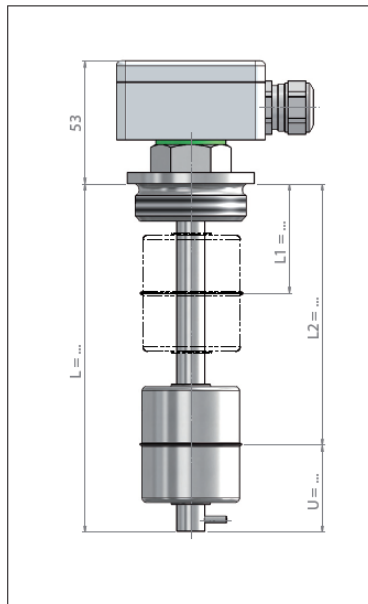
ATEX / PED / GOST / GL / BV / ABS / WHG / SIL1

Minimum measures

ALE/V/R-2-V...-L.../12-SV52/15/A
L1: ≥ 55 mm
U: 45 mm
Contact distance: ≥ 20 mm
Float distance: ≥ 70 mm

Approvals / Certificates

ATEX / PED / GOST / GL / BV / ABS / WHG / SIL1



The magnetic float switches are based on a modular design and can be arranged individually.

Type key page 62 - 65

* ATEX-design = if length of instrument ≥ 4000 mm please choose different material quality for guide tube and float

