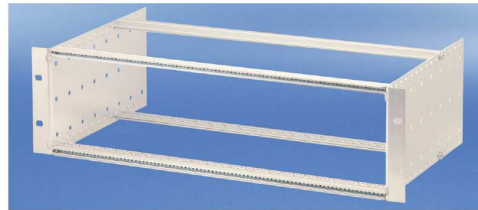


Europac Pro Subracks



Kit, unshielded, "light", for backplane mounting

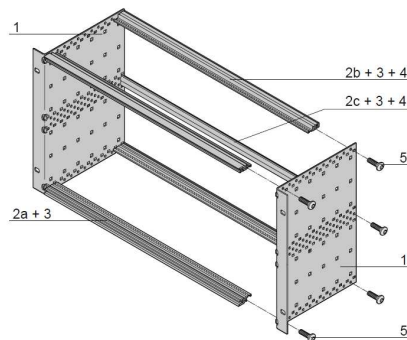


- Subrack with side panel type L ("light")
- Rear horizontal rail for backplane mounting with insulation strip
- Cost-optimised

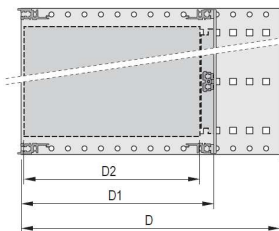
NEW

Delivery comprises (Kit)

Item	Qty	Description	
		3 U	6 U
1	2	2	Side panel type L, Al, 2 mm, passivated, with built-in 19" support bracket
2a	2	2	Front horizontal rail (L-KD)
2b	2	2	Rear horizontal rail (L-ST)
2c	-	1	Rear horizontal rail centre (H-ST)
3	4	6	Threaded inserts, front and rear (pre-fitted)
4	2	4	Insulation strip (pre-fitted)
5	1	1	Fixing materials kit, user manual



6 U



D=overall depth, D1=insertion depth,
D2=board depth = D1 - 15 mm



Rear horizontal rail for backplane mounting with insulation strip

Order Information

Height U	Width HP	Depth D mm	Depth D1 mm	Part no.
3	84	175	175	24564-131
3	84	235	175/235	24564-132
3	84	295	175/235/295	24564-133
6	84	175	175	24564-431
6	84	235	175/235	24564-432
6	84	295	175/235/295	24564-433

Accessories

19" assembly kit (screw, washer, nut) (8 × screws, 8 × plastic washers, 8 × cage nuts) **21100-435**

Guide rails (standard), ESD clips

Depth D2 mm	Qty/PU piece	Part no.
160	10	24560-351
220	10	24560-353
280	10	24560-379

ESD clip for guide rails PU 50 pieces **24560-255**

Note

- Subrack is not prepared for shielding
- Perforated rail, cover plates and assembly kit from page 6.14
- Further accessories from page 6.60
- ServicePLUS configuration from page 6.16



For further information www.schroff.biz/oneclick
oneClick search code = Part no.

Koning & Hartman B.V.

Energieweg 1
2627 AP Delft
P.o. box 5080
2600 GB Delft
The Netherlands

T +31 (0)15 260 99 06
F +31 (0)15 261 91 94
E info@koninghartman.com
I koninghartman.com

CoC 34.222.312
VAT NL.8141.69.144.B.01

F. van Lanschot Bankiers
69.94.03.383

Heeft u vragen over dit product, of zoekt u een subrack in andere afmetingen of uitvoering, neem dan contact op met onze specialisten op tel 015-260 9803 of email naar sales.delft@koninghartman.com