

Europac Pro Subracks



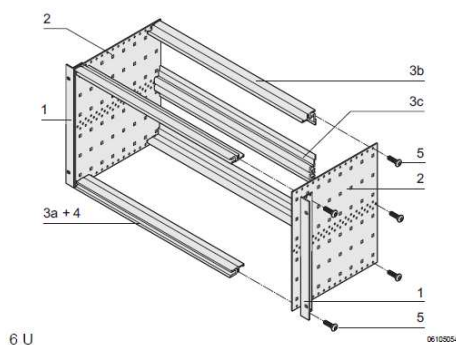
Photo: 3 U subrack

Kit, "flexible", unshielded, for connector mounting

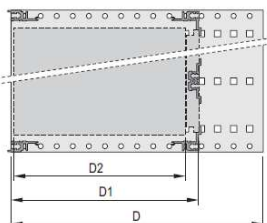
- Subrack with side panel type F ("flexible"), 19" bracket is depth-adjustable
- Rear horizontal rails for connector mounting (IEC 60603-2 / DIN 41612)
- Installed load up to 11 kg

Delivery comprises (kit)

Item	Qty	Description	
3 U		6 U	
1	2	2	19" support bracket, Al extrusion, for EMC gasket (St, stainless)
2	2	2	Side panel type F, Al, 2 mm
3a	2	2	Front horizontal rail (L-KD)
3b	2	2	Rear horizontal rail (L-MZ) for connector mounting
3c	-	1	Centre horizontal rail (MZ)
4	2	2	Threaded insert to front (pre-fitted)
5	1	1	Fixing material kit, user manual



6 U



D = overall depth, D1 = insertion depth,
D2 = board depth = D1 - 15 mm



Horizontal rail to rear for connector mounting

Order Information

Height	Width	Depth D	Depth D1	Part no.
U	HP	mm	mm	
3	84	175	175	24563-191
3	84	235	175/235	24563-192
3	84	295	175/235/295	24563-193
3	84	355	175/235/295/355	24563-194
6	84	175	175	24563-491
6	84	235	175/235	24563-492
6	84	295	175/235/295	24563-493
6	84	355	175/235/295/340	24563-494

Accessories

19" assembly kit (screw, washer, nut) (8 × screws, 8 × plastic washers, 8 × cage nuts) **21100-435**

Guide rails (standard), ESD clips

Depth D2	Qty/PU	Part no.
mm	piece	
160	10	24560-351
220	10	24560-353
280	10	24560-379
340	10	24560-380

ESD clip for guide rails PU 50 pieces **24560-255**

Cover plates for insertion in horizontal rails (type L)

Depth D2	Width	Qty/PU	Part no.
mm	HP	piece	
160	84	2	24561-051
220	84	2	24561-052

Note

- ServicePLUS configuration from page 6.16



For further information www.schroff.biz/oneclick
oneClick search code = Part no.

Koning & Hartman B.V.

Energieweg 1
2627 AP Delft
P.o. box 5080
2600 GB Delft
The Netherlands

T +31 (0)15 260 99 06
F +31 (0)15 261 91 94
E info@koninghartman.com
I koninghartman.com

CoC 34.222.312
VAT NL.8141.69.144.B.01

F. van Lanschot Bankiers
69.94.03.383

Heeft u vragen over dit product, of zoekt u een subrack in andere afmetingen of uitvoering, neem dan contact op met onze specialisten op tel 015-260 9803 of email naar sales.delft@koninghartman.com