


Europac Pro Subracks



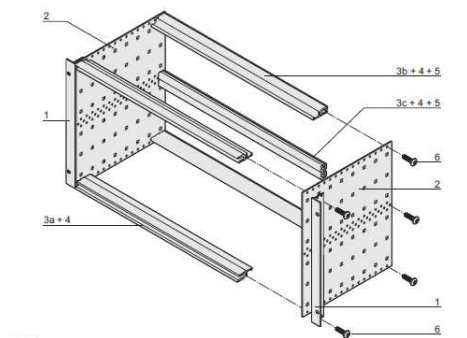
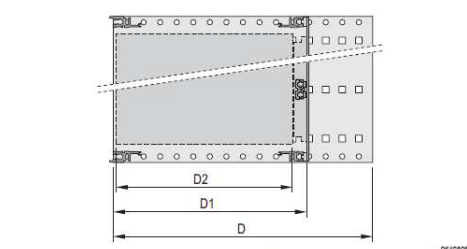
Kit, "flexible", unshielded, for backplane mounting



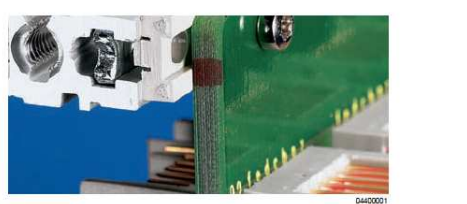
- Subrack with side panel type F ("flexible"), 19" bracket is depth-adjustable
- Rear horizontal rail for backplane mounting with insulation strip
- Installed load up to 11 kg

Delivery comprises (kit)

Item	Qty	Description
3 U 6 U		
1	2 2	19" support bracket, Al extrusion, for EMC stainless steel gasket
2	2 2	Side panel type F, Al, 2 mm
3a	2 2	Front horizontal rail (L-KD)
3b	2 2	Rear horizontal rail (L-ST) for backplane mounting
3c	- 1	Rear horizontal rail centre (ST)
4	4 6	Threaded insert, front and rear (pre-fitted)
5	2 4	Insulation strip (pre-fitted)
6	1 1	Fixing material kit, user manual

D = overall depth, D1 = insertion depth, D2 = board depth = D1 - 15 mm



Rear horizontal rail for backplane mounting with insulation strip

Order Information


Height U	Width HP	Depth D mm	Depth D1 mm	Part no.
3	84	175	175	24563-131
3	84	235	175/235	24563-132
3	84	295	175/235/295	24563-133
3	84	355	175/235/295/355	24563-134
3	84	415	175/235/295/355	24563-135
3	84	475	175/235/295/355	24563-136
6	84	175	175	24563-431
6	84	235	175/235	24563-432
6	84	295	175/235/295	24563-433
6	84	355	175/235/295/355	24563-434
6	84	415	175/235/295/355	24563-435
6	84	475	175/235/295/355	24563-436

Accessories

19" assembly kit (screw, washer, nut) (8 x screws, 8 x plastic washers, 8 x cage nuts)				21100-435
Guide rails (standard), ESD clips				
Depth D2 mm	Qty/PU piece			Part no.
160	10			24560-351
220	10			24560-353
280	10			24560-379
340	10			24560-380
ESD clip for guide rails PU 50 pieces				
24560-255				
Cover plates for insertion in horizontal rails (type L)				
Depth D2 mm	Width HP	Qty/PU piece	Part no.	
160	84	2	24561-051	
220	84	2	24561-052	

Note

- ServicePLUS configuration from page 6.16



For further information www.schroff.biz/oneclick
oneClick search code = Part no.

Koning & Hartman B.V.

Energieweg 1
2627 AP Delft

P.o. box 5080
2600 GB Delft

The Netherlands

T +31 (0)15 260 99 06

F +31 (0)15 261 91 94

E info@koninghartman.com

I koninghartman.com

CoC 34.222.312

VAT NL.8141.69.144.B.01

F. van Lanschot Bankiers

69.94.03.383

Heeft u vragen over dit product, of zoekt u een subrack in andere afmetingen of uitvoering, neem dan contact op met onze specialisten op tel 015-260 9803 of email naar sales.delft@koninghartman.com