

Magnetic Float Switches Horizontal / Titanium / Alloy C

Type

HS-ALE/TI/FE-65/16/B1-TI/...L...-HSTI52

HS-ALE/HC/FE-65/16/B1-HC/...L...-HSHC52

Material quality:	Titanium	Alloy C
Electrical connection:	ALE Aluminium terminal box	ALE Aluminium terminal box
Process connection:	Flange EN DN 65 / PN 16 / Form B1	Flange EN DN 65 / PN 16 / Form B1
Guide tube:	-	-
Length of instrument:	≤ 500 mm	≤ 500 mm
Float:	HSTI52 Ø 52 mm	HSHC52 Ø 52 mm
Specific gravity:	≥ 700 kg/m ³ (optional ≥ 350 kg/m ³)	≥ 700 kg/m ³ (optional ≥ 350 kg/m ³)
Design pressure:	-1 bar ... 16 bar (depending on temperature)	-1 bar ... 16 bar (depending on temperature)
Design temperature:	-10°C ... 150°C	-30°C ... 180°C (optional 250°C)
Ingress protection class:	IP 65	IP 65
Mounting position:	Horizontal +/-3°	Horizontal +/-3°

Level switch function

Function:	Normally open / S	Normally open / S
Switching capacity:	230 V / 1.0 A / 100 VA	230 V / 1.0 A / 100 VA
Maximal number of contacts:	2 pieces	2 pieces
Function:	Normally closed / O	Normally closed / O
Switching capacity:	230 V / 0.5 A / 40 VA	230 V / 0.5 A / 40 VA
Maximal number of contacts:	2 pieces	2 pieces
Function:	Change over / U	Change over / U
Switching capacity:	230 V / 0.5 A / 40 VA	230 V / 0.5 A / 40 VA
Maximal number of contacts:	2 pieces	2 pieces

Option temperature probe / Page 137

Temperature probe:	Pt-100 / Pt-1000	Pt-100 / Pt-1000
Norm:	IEC 751 Kl.B	IEC 751 Kl.B

Option temperature switch / Page 137

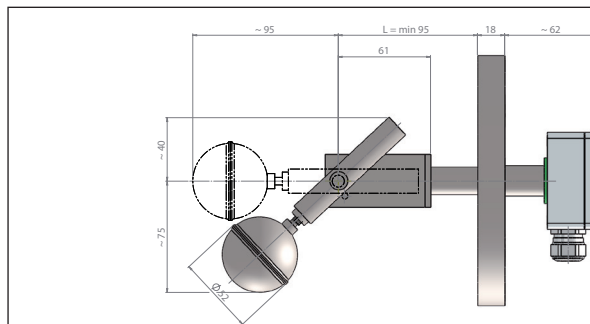
Function:	Normally closed or normally open	Normally closed or normally open
Switching capacity:	Page 137	Page 137
Accuracy / Hysteresis:	Page 137	Page 137
Temperature / Grading:	Page 137	Page 137

Minimum measures

HS-ALE/TI/FE-65/16/B1-TI/...L...-HSTI52
 Minimum length: 95 mm
 Standard length: 110 mm

Approvals / Certificates

ATEX / PED / GOST / SIL1

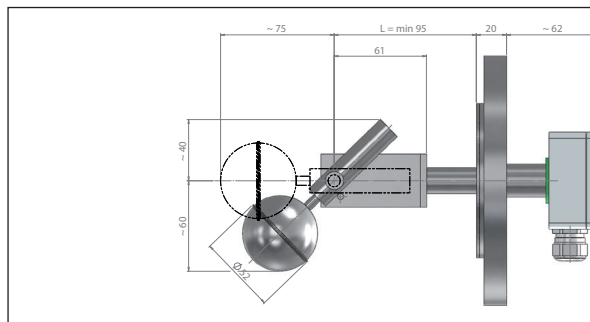


Minimum measures

HS-ALE/HC/FE-65/16/B1-HC/...L...-HSHC52
 Minimum length: 95 mm
 Standard length: 110 mm

Approvals / Certificates

ATEX / PED / GOST / SIL1



The magnetic float switches Horizontal are based on a modular design and can be arranged individually.

Type key page 118 - 120