

Type	ASH/ST/ERVE-1/4-V/...-M55/12/AL/64/3.50-SB40/15/A-HH	ALE/ST/ERVE-1/4-V/...-M55/12/AL/64/3.50-SVK44/15/A-HH
Material quality:	Stainless steel / Aluminium / Buna	Stainless steel / Aluminium
Electrical connection:	Connector Hirschmann DIN 43650	ALE Aluminium terminal box
Process connection:	Cutting ring union / Ø 10 mm	Cutting ring union / Ø 10 mm
Bypass chamber:	Ø 64.00 x 3.50 mm, Aluminium	Ø 64.00 x 3.50 mm, Aluminium
Centre distance:	55 mm	55 mm
Float:	SB40/15/A Ø 40 mm	SVK44/15/A Ø 44 mm
Specific gravity:	≥ 700 kg/m ³	≥ 800 kg/m ³
Design pressure:	-1 bar ... 6 bar	-1 bar ... 6 bar
Design temperature:	-30°C ... 80°C	-30°C ... 150°C
Ingress protection class:	IP 65	IP 65
Mounting position:	Vertical +/-30°	Vertical +/-30°

Level switch function		
Function:	Normally open / S	Normally open / S
Switching capacity:	230 V / 1.0 A / 100 VA	230 V / 1.0 A / 100 VA
Maximal number of contacts:	1 piece	1 piece
Function:	Normally closed / O	Normally closed / O
Switching capacity:	230 V / 0.5 A / 40 VA	230 V / 0.5 A / 40 VA
Maximal number of contacts:	1 piece	1 piece
Function:	Change over / U (only without temp. switch)	Change over / U
Switching capacity:	230 V / 0.5 A / 40 VA	230 V / 0.5 A / 40 VA
Maximal number of contacts:	1 piece	1 piece

Option temperature probe / Page 112		
Temperature probe:	-	Pt-100 / Pt-1000
Norm:	-	IEC 751 Kl.B

Option temperature switch / Page 112		
Function:	Normally closed or normally open	Normally closed or normally open
Switching capacity:	Page 112	Page 112
Accuracy / Hysteresis:	Page 112	Page 112
Temperature / Grading:	Page 112	Page 112

Minimum measures

ASH/ST/ERVE-1/4-V/...-M55/12/V/64/3.50-SB40/15/A-HH
 L1: ≥ 25 mm
 U: -
 Contact distance: -
 Float distance: -

Approvals / Certificates

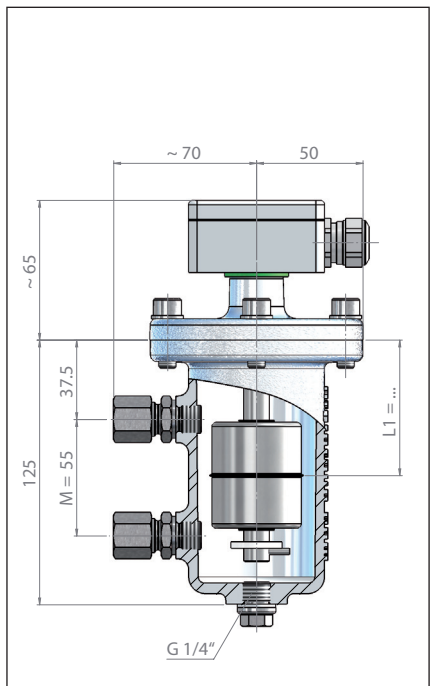
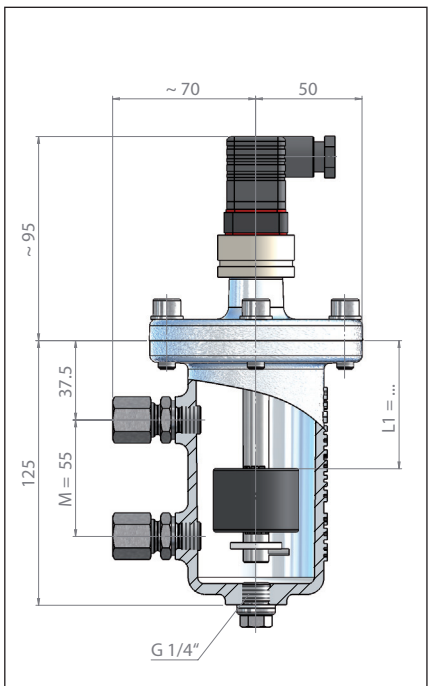
ATEX / PED / GOST / GL / BV / ABS / SIL1

Minimum measures

ALE/ST/ERVE-1/4-V/...-M55/12/V/64/3.50-SVK44/15/A-HH
 L1: ≥ 45 mm
 U: -
 Contact distance: -
 Float distance: -

Approvals / Certificates

ATEX / PED / GOST / GL / BV / ABS / SIL1



The magnetic float switches are based on a modular design and can be arranged individually.
Type key page 62 - 65