

Type	K/V/E-3/8-V/...-L../12-SVK44/15/A-WG- ../PVC	ALE/V/R-2-V/...-L../12-SV52/15/A-WG
Material quality:	1.4404 / 1.4435 / 1.4571 (316L / 316Ti)	1.4404 / 1.4435 / 1.4571 (316L / 316Ti)
Electrical connection:	PVC connection cable	ALE Aluminium terminal box
Process connection:	G 3/8"	G 2"
Guide tube:	Ø 12 mm (optional Ø 14 mm)	Ø 12 mm (optional Ø 14 mm)
Length of instrument:	≤ 3000 mm	≤ 3000 mm
Float:	SVK44/15/A Ø 44 mm	SV52/15/A Ø 52 mm
Specific gravity:	≥ 800 kg/m ³	≥ 680 kg/m ³
Design pressure:	-1 bar ... 25 bar	-1 bar ... 30 bar
Design temperature:	-20°C ... 80°C	-30°C ... 180°C (optional 250°C)
Ingress protection class:	IP 55	IP 55
Mounting position:	Vertical +/-30°	Vertical +/-30°

Level switch function		
Function:	Normally open / S	Normally open / S
Switching capacity:	230 V / 1.0 A / 100 VA	230 V / 1.0 A / 100 VA
Maximal number of contacts:	5 pieces	4 pieces (5 pieces with ALF terminal box)
Function:	Normally closed / O	Normally closed / O
Switching capacity:	230 V / 0.5 A / 40 VA	230 V / 0.5 A / 40 VA
Maximal number of contacts:	5 pieces	4 pieces (5 pieces with ALF terminal box)
Function:	Change over / U	Change over / U
Switching capacity:	230 V / 0.5 A / 40 VA	230 V / 0.5 A / 40 VA
Maximal number of contacts:	4 pieces	3 pieces (4 pieces with ALF terminal box)

Option temperature probe / Page 112		
Temperature probe:	Pt-100 / Pt-1000	Pt-100 / Pt-1000
Norm:	IEC 751 Kl.B	IEC 751 Kl.B

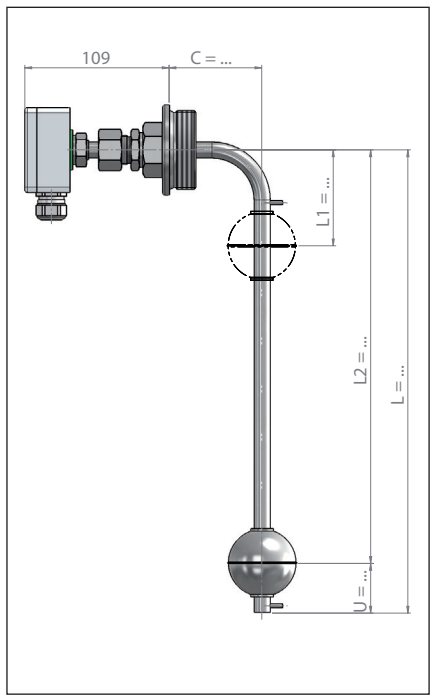
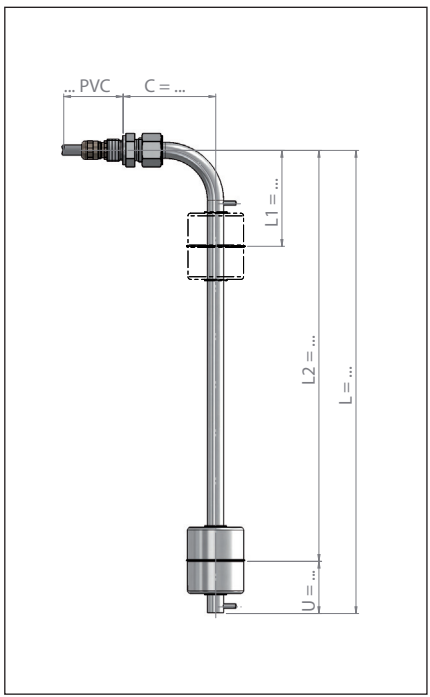
Option temperature switch / Page 112		
Function:	Normally closed or normally open	Normally closed or normally open
Switching capacity:	Page 112	Page 112
Accuracy / Hysteresis:	Page 112	Page 112
Temperature / Grading:	Page 112	Page 112

Minimum measures
 K/V/E-3/8-V/...-L../12-SVK44/15/A-WG-../PVC
 L1: ≥ 50 mm
 U: 45 mm
 C: ≥ 70 mm
 Contact distance: ≥ 20 mm
 Float distance: ≥ 70 mm

Approvals / Certificates
 ATEX / PED / GOST / GL / BV / ABS / SIL1

Minimum measures
 ALE/V/R-2-V/...-L../12-SV52/15/A-WG
 L1: ≥ 55 mm
 U: 45 mm
 C: ≥ 70 mm
 Contact distance: ≥ 20 mm
 Float distance: ≥ 70 mm

Approvals / Certificates
 ATEX / PED / GOST / GL / BV / ABS / SIL1



The magnetic float switches are based on a modular design and can be arranged individually.
Type key page 62 - 65