

## Magnetic Float Switches / Stainless steel - adjustable

### Type

**K/V/R-1/2-V/...L../12-SVK44/15/A-../SIL-VE**

**ALE/V/R-2-V/...L../12-SV52/15/A-VE**

Material quality:	1.4404 / 1.4435 / 1.4571 ( 316L / 316Ti )	1.4404 / 1.4435 / 1.4571 ( 316L / 316Ti )
Electrical connection:	Silicon connection cable	ALE Aluminium terminal box
Process connection:	G 1/2"	G 2"
Guide tube:	Ø 12 mm, adjustable	Ø 12 mm, adjustable
Length of instrument:	≤ 3000 mm	≤ 3000 mm
Float:	SVK44/15/A Ø 44 mm	SV52/15/A Ø 52 mm
Specific gravity:	≥ 800 kg/m <sup>3</sup>	≥ 680 kg/m <sup>3</sup>
Design pressure:	-1 bar ... 3 bar	-1 bar ... 3 bar
Design temperature:	-30°C ... 180°C	-30°C ... 180°C
Ingress protection class:	IP 55	IP 65
Mounting position:	Vertical +/-30°	Vertical +/-30°

### Level switch function

Function:	Normally open / S	Normally open / S
Switching capacity:	230 V / 1.0 A / 100 VA	230 V / 1.0 A / 100 VA
Maximal number of contacts:	5 pieces	4 pieces ( 5 pieces with ALF terminal box )
Function:	Normally closed / O	Normally closed / O
Switching capacity:	230 V / 0.5 A / 40 VA	230 V / 0.5 A / 40 VA
Maximal number of contacts:	5 pieces	4 pieces ( 5 pieces with ALF terminal box )
Function:	Change over / U	Change over / U
Switching capacity:	230 V / 0.5 A / 40 VA	230 V / 0.5 A / 40 VA
Maximal number of contacts:	4 pieces	3 pieces ( 4 pieces with ALF terminal box )

### Option temperature probe / Page 112

Temperature probe:	Pt-100 / Pt-1000	Pt-100 / Pt-1000
Norm:	IEC 751 Kl.B	IEC 751 Kl.B

### Option temperature switch / Page 112

Function:	Normally closed or normally open	Normally closed or normally open
Switching capacity:	Page 112	Page 112
Accuracy / Hysteresis:	Page 112	Page 112
Temperature / Grading:	Page 112	Page 112

### Minimum measures

K/V/R-1/2-V/...L../12-SVK44/15/A-../SIL-VE  
 L1: ≥ 50 mm  
 U: 45 mm  
 Contact distance: ≥ 20 mm  
 Float distance: ≥ 70 mm

### Approvals / Certificates

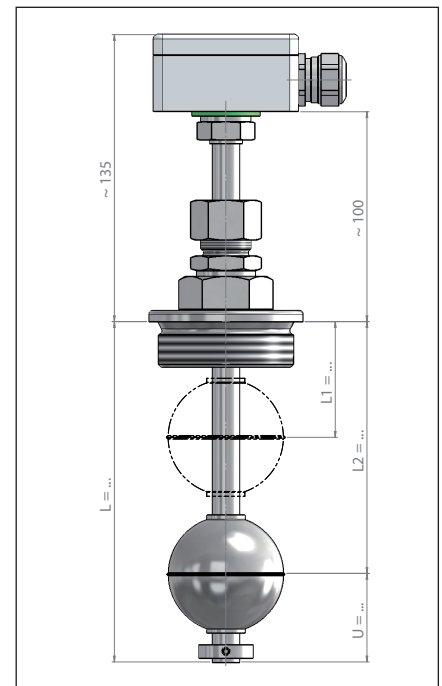
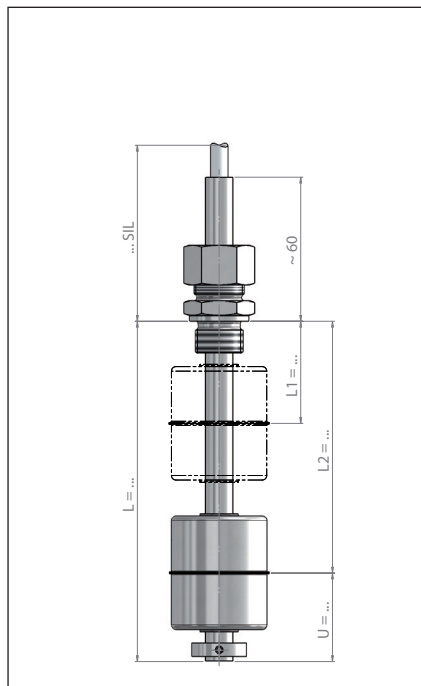
PED / SIL1

### Minimum measures

ALE/V/R-2-V/...L../12-SV52/15/A-VE  
 L1: ≥ 55 mm  
 U: 45 mm  
 Contact distance: ≥ 20 mm  
 Float distance: ≥ 70 mm

### Approvals / Certificates

PED / SIL1



The magnetic float switches are based on a modular design and can be arranged individually.

**Type key page 62 - 65**