

Type	ALE/V/FE-80/16/B1-V/...L../16-SV72/24/V-FG	ALE/V/R-1-V/...L../16-SV72/24/V-FG
Material quality:	1.4404 / 1.4435 / 1.4571 (316L / 316Ti)	1.4404 / 1.4435 / 1.4571 (316L / 316Ti)
Electrical connection:	ALE Aluminium terminal box	ALE Aluminium terminal box
Process connection:	Flange EN DN 80 / PN 16 / Form B1	Flange EN DN 80 / PN 16 / Form B1
Guide tube:	Ø 16 mm	Ø 16 mm
Length of instrument:	≤ 15000 mm*	≤ 15000 mm*
Float:	SV72/24/V Ø 72 mm	SV72/24/V Ø 72 mm
Specific gravity:	≥ 620 kg/m ³	≥ 620 kg/m ³
Design pressure:	-1 bar ... 16 bar (depending on temperature)	-1 bar ... 16 bar (depending on temperature)
Design temperature:	-30°C ... 180°C	-30°C ... 180°C
Ingress protection class:	IP 65	IP 65
Mounting position:	Vertical +/-30°	Vertical +/-30°

Level switch function		
Function:	Normally open / S	Normally open / S
Switching capacity:	230 V / 1.0 A / 100 VA	230 V / 1.0 A / 100 VA
Maximal number of contacts:	4 pieces (5 pieces with ALF terminal box)	4 pieces (5 pieces with ALF terminal box)
Function:	Normally closed / O	Normally closed / O
Switching capacity:	230 V / 0.5 A / 40 VA	230 V / 0.5 A / 40 VA
Maximal number of contacts:	4 pieces (5 pieces with ALF terminal box)	4 pieces (5 pieces with ALF terminal box)
Function:	Change over / U	Change over / U
Switching capacity:	230 V / 0.5 A / 40 VA	230 V / 0.5 A / 40 VA
Maximal number of contacts:	3 pieces (4 pieces with ALF terminal box)	3 pieces (4 pieces with ALF terminal box)

Option temperature probe / Page 112		
Temperature probe:	Pt-100 / Pt-1000	Pt-100 / Pt-1000
Norm:	IEC 751 Kl.B	IEC 751 Kl.B

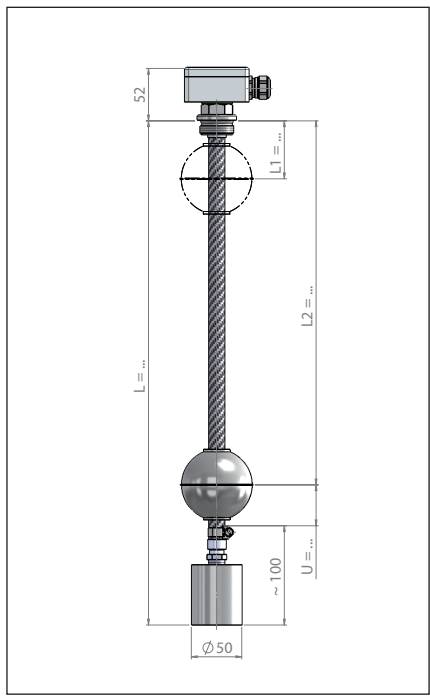
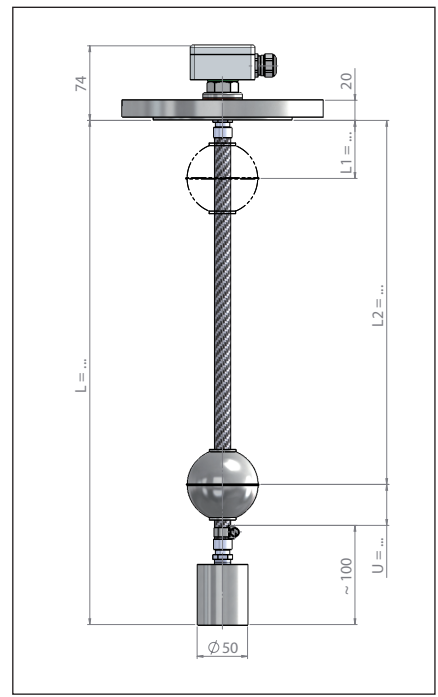
Option temperature switch / Page 112		
Function:	Normally closed or normally open	Normally closed or normally open
Switching capacity:	Page 112	Page 112
Accuracy / Hysteresis:	Page 112	Page 112
Temperature / Grading:	Page 112	Page 112

Minimum measures

ALE/V/FE-80/16/B1-V/...L../16-SV72/24/V-FG
 L1: ≥ 60 mm
 U: 60 mm
 Contact distance: ≥ 20 mm
 Float distance: ≥ 90 mm

Approvals / Certificates

ATEX / PED / GOST / SIL1



Minimum measures

ALE/V/R-1-V/...L../16-SV72/24/V-FG
 L1: ≥ 60 mm
 U: 60 mm
 Contact distance: ≥ 20 mm
 Float distance: ≥ 90 mm

Approvals / Certificates

ATEX / PED / GOST / SIL1

The magnetic float switches are based on a modular design and can be arranged individually.
Type key page 62 - 65

* ATEX-design = if length of instrument ≥ 4000 mm please choose different material quality for guide tube and float