

Type	E/V/E-1/8-V/...L../8-SVK27/10/A-../PVC	E/V/E-1/8-V/...L../8-SV29/9/A-../SIL
Material quality:	1.4404 / 1.4435 / 1.4571 (316L / 316Ti)	1.4404 / 1.4435 / 1.4571 (316L / 316Ti)
Electrical connection:	PVC connection cable	Silicon connection cable
Process connection:	G 1/8"	G 1/8"
Guide tube:	Ø 8 mm	Ø 8 mm
Length of instrument:	≤ 1000 mm	≤ 1000 mm
Float:	SVK27/10/A Ø 27 mm	SV29/9/A Ø 29 mm
Specific gravity:	≥ 800 kg/m <sup>3</sup>	≥ 900 kg/m <sup>3</sup>
Design pressure:	-1 bar ... 6 bar	-1 bar ... 35 bar
Design temperature:	-20°C ... 80°C	-30°C ... 180°C
Ingress protection class:	IP 55	IP 55
Mounting position:	Vertical +/-30°	Vertical +/-30°

Level switch function

Function:	Normally open / S	Normally open / S
Switching capacity:	150 V / 0.5 A / 10 VA	150 V / 0.5 A / 10 VA
Maximal number of contacts:	3 pieces	3 pieces
Function:	Normally closed / O	Normally closed / O
Switching capacity:	150 V / 0.5 A / 10 VA	150 V / 0.5 A / 10 VA
Maximal number of contacts:	3 pieces	3 pieces
Function:	Change over / U	Change over / U
Switching capacity:	150 V / 0.5 A / 10 VA	150 V / 0.5 A / 10 VA
Maximal number of contacts:	2 pieces	2 pieces

Option temperature probe / Page 112

Temperature probe:	Pt-100 / Pt-1000	Pt-100 / Pt-1000
Norm:	IEC 751 Kl.B	IEC 751 Kl.B

Option temperature switch / Page 112

Function:	-	-
Switching capacity:	-	-
Accuracy / Hysteresis:	-	-
Temperature / Grading:	-	-

Minimum measures

E/V/E-1/8-V/...L../8-SVK27/10/A-../PVC  
 L1: ≥ 30 mm  
 U: 30 mm  
 Contact distance: ≥ 20 mm  
 Float distance: ≥ 45 mm

Approvals / Certificates

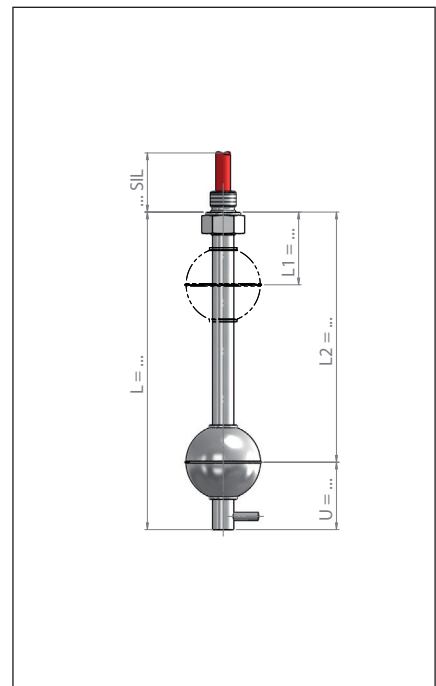
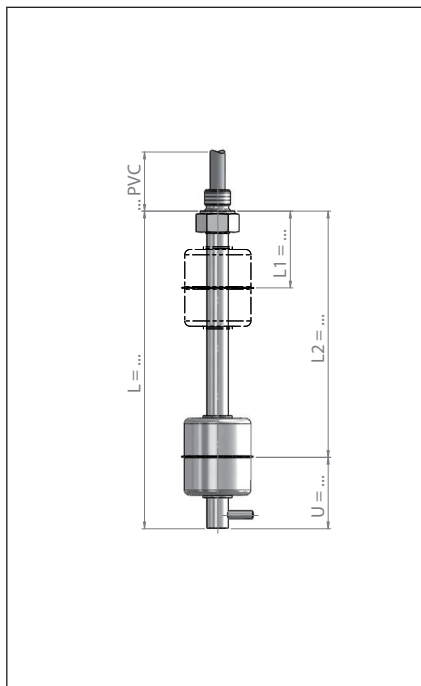
ATEX / PED / GOST / GL / BV / ABS / WHG / SIL1

Minimum measures

E/V/E-1/8-V/...L../8-SV29/9/A-../SIL  
 L1: ≥ 35 mm  
 U: 30 mm  
 Contact distance: ≥ 20 mm  
 Float distance: ≥ 45 mm

Approvals / Certificates

ATEX / PED / GOST / GL / BV / ABS / WHG / SIL1



The magnetic float switches are based on a modular design and can be arranged individually.

Type key page 62 - 65