

Type	K/HC/E-3/8-HC/K..-L../12-SHCK44/15/V.. ./SIL	ALE/HC/R-1½-HC/K..-L../12-SHCK44/15/V
Material quality:	Alloy C	Alloy C
Electrical connection:	Silicone connection cable	ALE Aluminium terminal box
Process connection:	G 3/8"	G 1½"
Guide tube:	Ø 12 mm	Ø 12 mm
Length of instrument:	≤ 3000 mm	≤ 3000 mm
Float:	SHCK44/15/V Ø 44 mm	SHCK44/15/V Ø 44 mm
Specific gravity:	≥ 1000 kg/m³	≥ 1000 kg/m³
Design pressure:	-1 bar ... 45 bar	-1 bar ... 45 bar (depending on temperature)
Design temperature:	-40°C ... 180°C	See accuracy
Ingress protection class:	IP 55 (optional IP 68)	IP 65
Mounting position:	Vertical +/-30°	Vertical +/-30°
Accuracy		
Type K.. (-30°C ... 130°C) Accuracy:	5 / 10 / 12.7 / 15 mm	5 / 10 / 12.7 / 15 mm
Type K..HTF (-30°C ... 200°C) Accuracy:	5 / 10 / 15 mm	5 / 10 / 15 mm
Type K..HT (-40°C ... 250°C) Accuracy:	10 / 15 mm	10 / 15 mm
Option control unit / Page 55		
Control unit:	- Programmable - Hart-programmable - Profibus PA - Foundation Fieldbus	- Programmable - Hart-programmable - Profibus PA - Foundation Fieldbus
Option temperature probe / Page 56		
Temperature probe:	Pt-100 / Pt-1000	Pt-100 / Pt-1000
Norm:	IEC 751 Kl.B	IEC 751 Kl.B
Option temperature switch / Page 56		
Function:	Normally closed or normally open	Normally closed or normally open
Switching capacity:	Page 56	Page 56
Accuracy / Hysteresis:	Page 56	Page 56
Temperature / Grading:	Page 56	Page 56

Minimum measures

K/HC/E-3/8-HC/K..-L../12-SHCK44/15/V..
L1: ≥ 50 mm
U: 45 mm

Approvals / Certificates

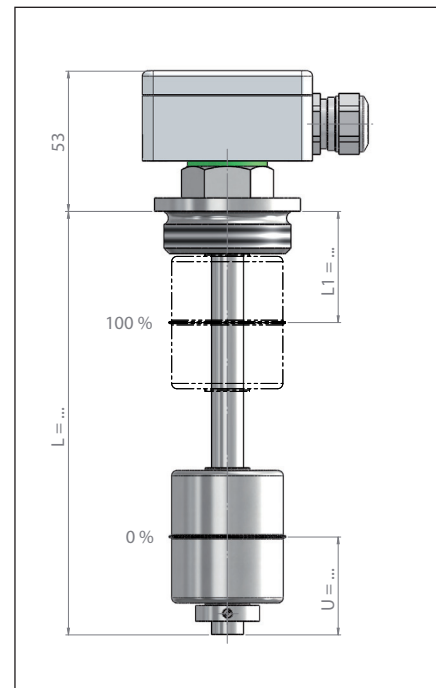
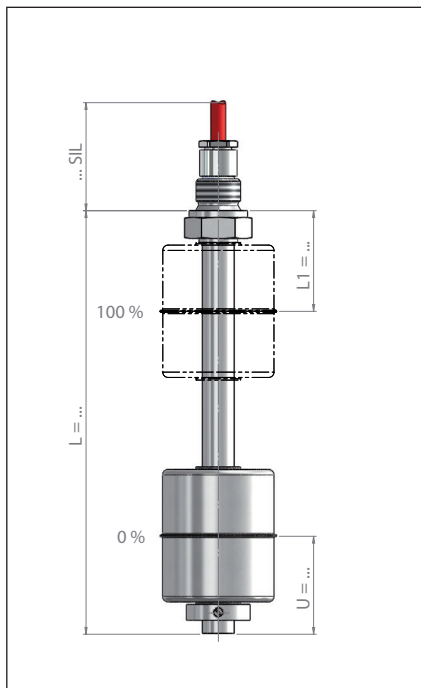
ATEX / PED / GOST / WHG

Minimum measures

ALE/HC/R-1½-HC/K..-L../12-SHCK44/15/V
L1: ≥ 50 mm
U: 45 mm

Approvals / Certificates

ATEX / PED / GOST / WHG



The magnetic float level transmitter are based on a modular design and can be arranged individually.

Type key page 10 - 13