

Type **K/TI/E-3/8-TI/K...-L../12-STIK44/14/V-../SIL** **ALE/TI/R-2-TI/K...-L../12-STI52/14/V**

Material quality:	Titanium	Titanium
Electrical connection:	Silicone connection cable	ALE Aluminium terminal box
Process connection:	G 3/8"	G 2"
Guide tube:	Ø 12 mm (Accuracy type K5.. Ø 14 mm)	Ø 12 mm (Accuracy type K5.. Ø 14 mm)
Length of instrument:	≤ 5000 mm	≤ 5000 mm
Float:	STIK44/14/V Ø 44 mm	STI52/14/V Ø 52 mm
Specific gravity:	≥ 750 kg/m³	≥ 600 kg/m³
Design pressure:	-1 bar ... 15 bar	-1 bar ... 25 bar
Design temperature:	-10°C ... 150°C	-10°C ... 150°C
Ingress protection class:	IP 55 (optional IP 68)	IP 65
Mounting position:	Vertical +/-30°	Vertical +/-30°

Accuracy

Type K.. (-30°C ... 130°C) Accuracy:	5 / 10 / 12.7 / 15 mm	5 / 10 / 12.7 / 15 mm
Type K..HTF (-30°C ... 200°C) Accuracy:	5 / 10 / 15 mm	5 / 10 / 15 mm
Type K..HT (-40°C ... 250°C) Accuracy:	-	-

Option control unit / Page 55

Control unit:	- Programmable - Hart-programmable - Profibus PA - Foundation Fieldbus	- Programmable - Hart-programmable - Profibus PA - Foundation Fieldbus
---------------	---	---

Option temperature probe / Page 56

Temperature probe:	Pt-100 / Pt-1000	Pt-100 / Pt-1000
Norm:	IEC 751 Kl.B	IEC 751 Kl.B

Option temperature switch / Page 56

Function:	Normally closed or normally open	Normally closed or normally open
Switching capacity:	Page 56	Page 56
Accuracy / Hysteresis:	Page 56	Page 56
Temperature / Grading:	Page 56	Page 56

Minimum measures

K/TI/E-3/8-TI/K...-L../12-STIK44/14/V-../SIL
L1: ≥ 50 mm
U: 45 mm

Approvals / Certificates

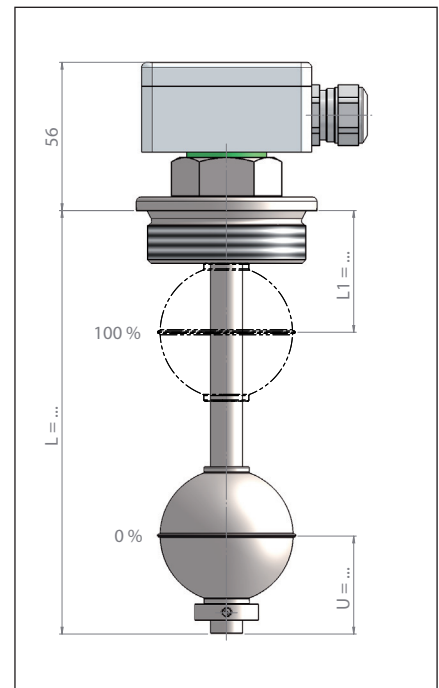
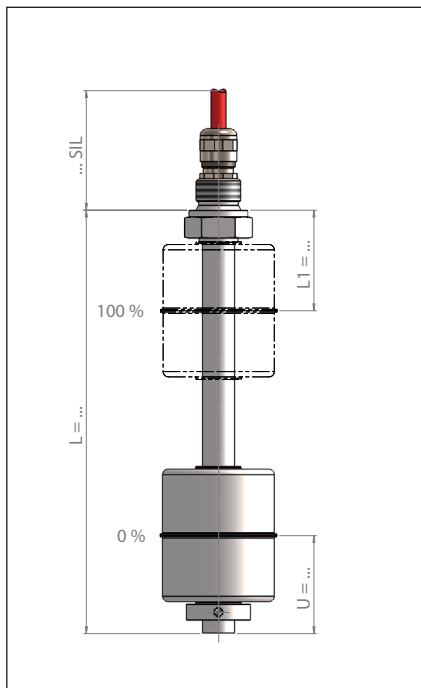
ATEX / PED / GOST / WHG

Minimum measures

ALE/TI/R-2-TI/K...-L../12-STI52/14/V
L1: ≥ 55 mm
U: 45 mm

Approvals / Certificates

ATEX / PED / GOST / WHG



The magnetic float level transmitter are based on a modular design and can be arranged individually.

Type key page 10 - 13