

Type	ALE/V/R-1½-PA/K12.7-L../12-SVK44/15/V-FG	ALE/ME/R-2-PA/K12.7-L../12-SV52/15/V-FG
Material quality:	Polyamide / Stainless steel	Polyamide / Brass / Stainless steel
Electrical connection:	ALE Aluminium terminal box	ALE Aluminium terminal box
Process connection:	G 1½"	G 2"
Guide tube:	Ø 12 mm	Ø 12 mm
Length of instrument:	≤ 5000 mm	≤ 5000 mm
Float:	SVK44/15/V Ø 44 mm	SV52/15/V Ø 52 mm
Specific gravity:	≥ 800 kg/m³	≥ 700 kg/m³
Design pressure:	-1 bar ... 1 bar	-1 bar ... 1 bar
Design temperature:	-10°C ... 80°C	-10°C ... 80°C
Ingress protection class:	IP 65	IP 65
Mounting position:	Vertical +/-30°	Vertical +/-30°
Accuracy		
Type K.. (-30°C ... 130°C) Accuracy:	12.7 mm	12.7 mm
Type K..HTF (-30°C ... 200°C) Accuracy:	-	-
Type K..HT (-40°C ... 250°C) Accuracy:	-	-
Option control unit / Page 55		
Control unit:	- Programmable - Hart-programmable - Profibus PA - Foundation Fieldbus	- Programmable - Hart-programmable - Profibus PA - Foundation Fieldbus
Option temperature probe / Page 56		
Temperature probe:	Pt-100 / Pt-1000	Pt-100 / Pt-1000
Norm:	IEC 751 Kl.B	IEC 751 Kl.B
Option temperature switch / Page 56		
Function:	Normally closed or normally open	Normally closed or normally open
Switching capacity:	Page 56	Page 56
Accuracy / Hysteresis:	Page 56	Page 56
Temperature / Grading:	Page 56	Page 56

Minimum measures

ALE/V/R-1½-PA/K12.7-L../12-SVK44/15/V-FG
L1: ≥ 70 mm
U: 45 mm

Approvals / Certificates

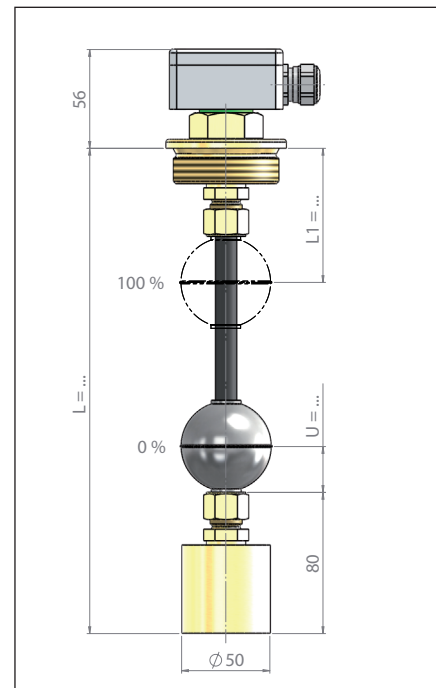
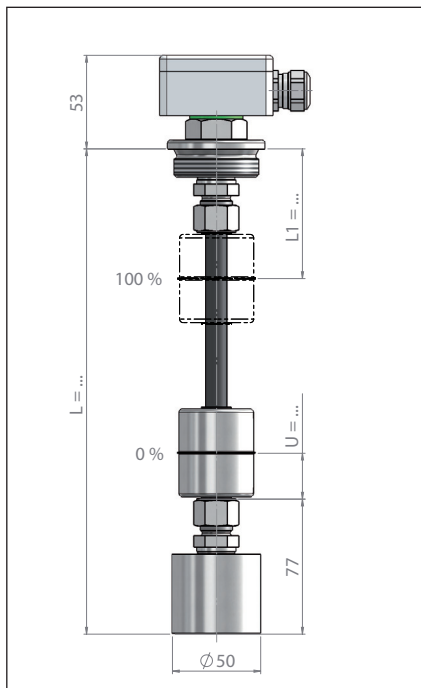
GOST

Minimum measures

ALE/ME/R-2-PA/K12.7-L../12-SV52/15/V-FG
L1: ≥ 70 mm
U: 45 mm

Approvals / Certificates

GOST



The magnetic float level transmitter are based on a modular design and can be arranged individually.

Type key page 10 - 13