

Type	K/ME/E-3/8-ME/K..-L../12-SB40/15/R-../PVC	ALE/ME/R-1½-ME/K..-L../12-SVK44/15/V
Material quality:	Brass (Float Buna)	Brass (Float Stainless steel)
Electrical connection:	PVC connection cable	ALE Aluminium terminal box
Process connection:	G 3/8"	G 1½"
Guide tube:	Ø 12 mm (Accuracy type K5.. Ø 14 mm)	Ø 12 mm (Accuracy type K5.. Ø 14 mm)
Length of instrument:	≤ 5000 mm	≤ 5000 mm
Float:	SB40/15/R Ø 40 mm	SVK44/15/V Ø 44 mm
Specific gravity:	≥ 700 kg/m³	≥ 800 kg/m³
Design pressure:	-1 bar ... 6 bar	-1 bar ... 25 bar
Design temperature:	-10°C ... 80°C	-10°C ... 150°C
Ingress protection class:	IP 55 (optional IP 68)	IP 65
Mounting position:	Vertical +/-30°	Vertical +/-30°
Accuracy		
Type K.. (-30°C ... 130°C) Accuracy:	5 / 10 / 12.7 / 15 mm	5 / 10 / 12.7 / 15 mm
Type K..HTF (-30°C ... 200°C) Accuracy:	-	5 / 10 / 15 mm
Type K..HT (-40°C ... 250°C) Accuracy:	-	-
Option control unit / Page 55		
Control unit:	- Programmable - Hart-programmable - Profibus PA - Fondation Fieldbus	- Programmable - Hart-programmable - Profibus PA - Fondation Fieldbus
Option temperature probe / Page 56		
Temperature probe:	Pt-100 / Pt-1000	Pt-100 / Pt-1000
Norm:	IEC 751 Kl.B	IEC 751 Kl.B
Option temperature switch / Page 56		
Function:	Normally closed or normally open	Normally closed or normally open
Switching capacity:	Page 56	Page 56
Accuracy / Hysteresis:	Page 56	Page 56
Temperature / Grading:	Page 56	Page 56

Minimum measures

K/ME/E-3/8-ME/K..-L../12-SB40/15/R-../PVC
L1: ≥ 30 mm
U: 50 mm

Approvals / Certificates

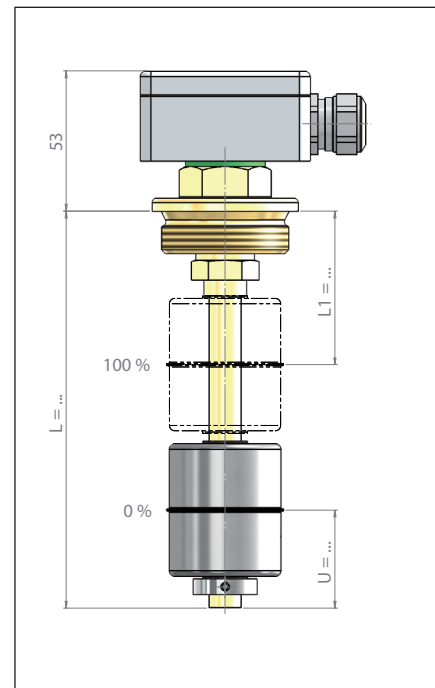
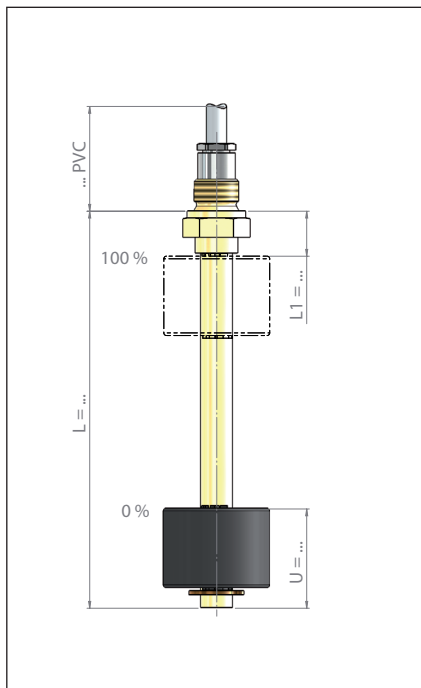
PED / GOST / GL / BV / ABS

Minimum measures

ALE/ME/R-1½-ME/K..-L../12-SVK44/15/V
L1: ≥ 65 mm
U: 45 mm

Approvals / Certificates

PED / GOST / GL / BV / ABS



The magnetic float level transmitter are based on a modular design and can be arranged individually.

Type key page 10 - 13