

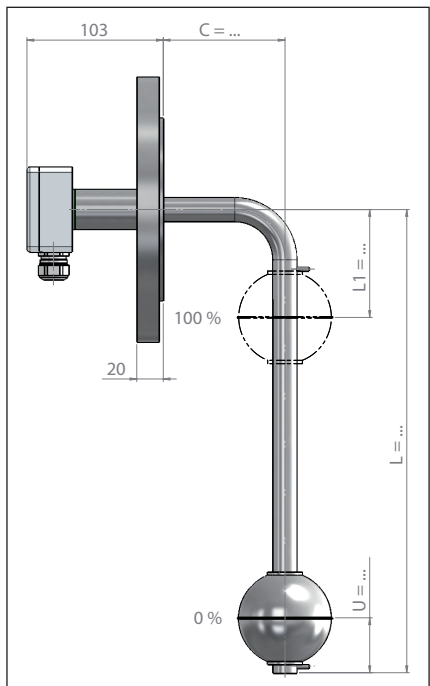
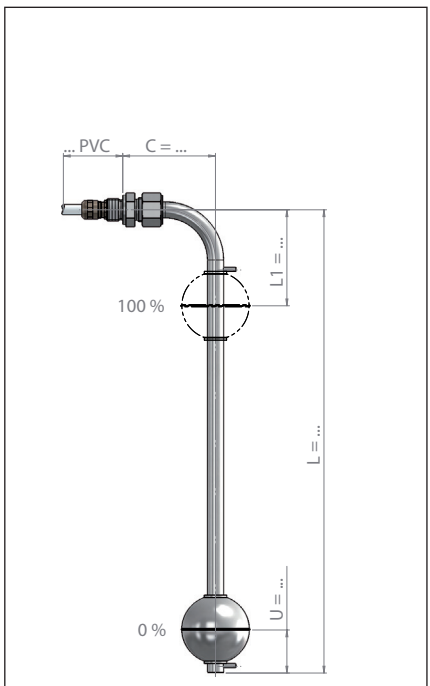
Type	K/V/E-3/8-V/K..-L../12-SV52/15/V-WG-../SIL	ALE/V/FE-80/16/B1-V/K..-L../18-SV72/24/V-WG
Material quality:	1.4404 / 1.4435 / 1.4571 (316L / 316Ti)	1.4404 / 1.4435 / 1.4571 (316L / 316Ti)
Electrical connection:	Silicone connection cable	ALE Aluminium terminal box
Process connection:	G 3/8"	Flange EN DN 80 / PN 16 / Form B1
Guide tube:	Ø 12 mm (Accuracy type K5.. Ø 14 mm)	Ø 18 mm
Length of instrument:	≤ 3000 mm	≤ 6000 mm*
Float:	SV52/15/V Ø 52 mm	SV72/24/V Ø 72 mm
Specific gravity:	≥ 700 kg/m³	≥ 620 kg/m³
Design pressure:	-1 bar ... 40 bar	-1 bar ... 16 bar (depending on temperature)
Design temperature:	-40°C ... 180°C	See accuracy
Ingress protection class:	IP 55 (optional IP 68)	IP 65
Mounting position:	Vertical +/-30°	Vertical +/-30°
Accuracy		
Type K.. (-30°C ... 130°C) Accuracy:	5 / 10 / 12.7 / 15 mm	5 / 10 / 12.7 / 15 mm
Type K..HTF (-30°C ... 200°C) Accuracy:	5 / 10 / 15 mm	5 / 10 / 15 mm
Type K..HT (-40°C ... 250°C) Accuracy:	5 / 10 / 15 mm	5 / 10 / 15 mm
Option control unit / Page 55		
Control unit:	- Programmable - Hart-programmable - Profibus PA - Fondation Fieldbus	- Programmable - Hart-programmable - Profibus PA - Fondation Fieldbus
Option temperature probe / Page 56		
Temperature probe:	Pt-100 / Pt-1000	Pt-100 / Pt-1000
Norm:	IEC 751 Kl.B	IEC 751 Kl.B
Option temperature switch / Page 56		
Function:	Normally closed or normally open	Normally closed or normally open
Switching capacity:	Page 56	Page 56
Accuracy / Hysteresis:	Page 56	Page 56
Temperature / Grading:	Page 56	Page 56

Minimum measures

K/V/E-3/8-V/K..-L../12-SV52/15/V-WG-../SIL
 L1: ≥ 55 mm
 U: 45 mm
 C: ≥ 70 mm

Approvals / Certificates

ATEX / PED / GOST / GL / BV / ABS



Minimum measures

ALE/V/FE-80/16/B1-V/K..-L../18-SV72/24/V-WG
 L1: ≥ 60 mm
 U: 60 mm
 C: ≥ 70 mm

Approvals / Certificates

ATEX / PED / GOST / GL / BV / ABS

The Magnetic Float Level Transmitter are based on a modular design and can be arranged individually.
Type key page 10 - 13

* ATEX-design = if length of instrument ≥ 4000 mm please choose different material quality for guide tube and float