

Magnetic Float Level Transmitter / Stainless steel - flexible

Type

ALE/V/FE-80/16/B1-V/K12.7-L../16-SV72/24/V-FG

ALE/V/R-1-V/K12.7-L../16-SV72/24/V-FG

Material quality:	1.4404 / 1.4435 / 1.4571 (316L / 316Ti)	1.4404 / 1.4435 / 1.4571 (316L / 316Ti)
Electrical connection:	ALE Aluminium terminal box	ALE Aluminium terminal box
Process connection:	Flange EN DN 80 / PN 16 / Form B1	G 1"
Guide tube:	Ø 16 mm	Ø 16 mm
Length of instrument:	≤ 10000 mm*	≤ 10000 mm*
Float:	SV72/24/V Ø 72 mm	SV72/24/V Ø 72 mm
Specific gravity:	≥ 620 kg/m ³	≥ 620 kg/m ³
Design pressure:	-1 bar ... 16 bar (depending on temperature)	-1 bar ... 25 bar
Design temperature:	See accuracy	See accuracy
Ingress protection class:	IP 65	IP 65
Mounting position:	Vertical +/-30°	Vertical +/-30°

Accuracy

Type K.. (-30°C ... 130°C) Accuracy:	12.7 mm	12.7 mm
Type K..HTF (-30°C ... 200°C) Accuracy:	-	-
Type K..HT (-40°C ... 250°C) Accuracy:	-	-

Option control unit / Page 55

Control unit:	- Programmable - Hart-programmable - Profibus PA - Foundation Fieldbus	- Programmable - Hart-programmable - Profibus PA - Foundation Fieldbus
---------------	---	---

Option temperature probe / Page 56

Temperature probe:	Pt-100 / Pt-1000	Pt-100 / Pt-1000
Norm:	IEC 751 Kl.B	IEC 751 Kl.B

Option temperature switch / Page 56

Function:	Normally closed or normally open	Normally closed or normally open
Switching capacity:	Page 56	Page 56
Accuracy / Hysteresis:	Page 56	Page 56
Temperature / Grading:	Page 56	Page 56

Minimum measures

ALE/V/FE-80/16/B1-V/K12.7-L../16-SV72/24/V-FG
L1: ≥ 60 mm
U: 60 mm

Approvals / Certificates

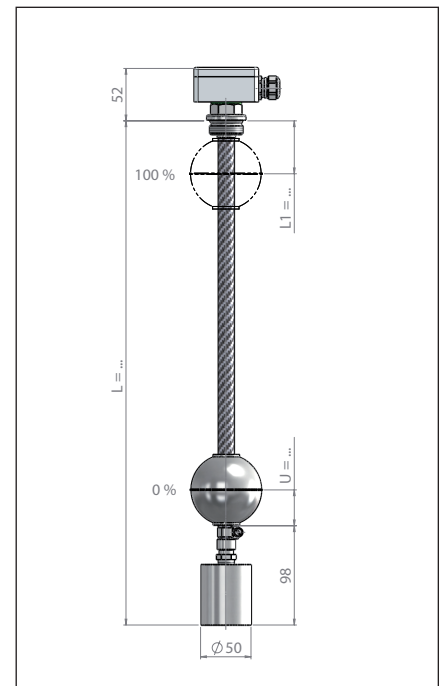
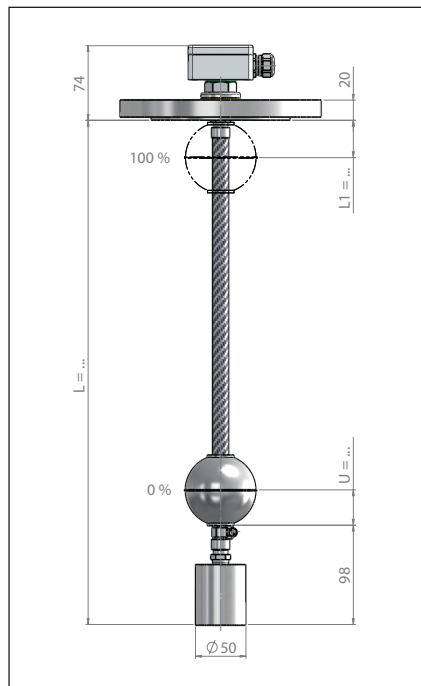
ATEX / PED / GOST

Minimum measures

ALE/V/R-1-V/K12.7-L../16-SV72/24/V-FG
L1: ≥ 60 mm
U: 60 mm

Approvals / Certificates

ATEX / PED / GOST



The Magnetic Float Level Transmitter are based on a modular design and can be arranged individually.

Type key page 10 - 13

* ATEX-design = if length of instrument ≥ 4000 mm please choose different material quality for guide tube and float