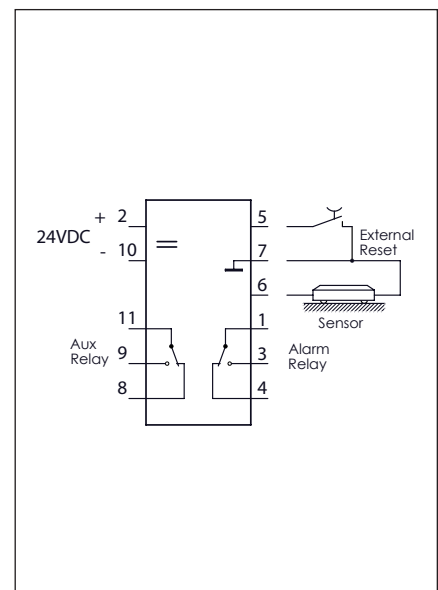
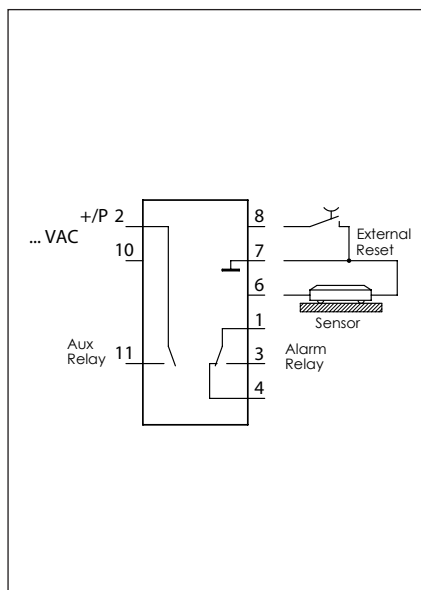


Control Units / Leakage detector GL..

Type	GL100..	GL1101
Power supply:	GL1002 115 VAC GL1003 230 VAC	GL1101 24 VDC
Input:	Floor electrodes AF (Cascade electrode) AFE (End electrode)	Floor electrodes AF (Cascade electrode) AFE (End electrode)
Relay outputs:	1 Normally open 250 V AC 1 Change over 250 V AC / 5A potential-free	2 Change over 250 V AC / 5A potential-free
Safety insulation:	4 kV	4 kV
Sensitivity range:	100 kOhm / 33 kOhm	100 kOhm / 33 kOhm
Switching delay:	3 Seconds	3 Seconds
Terminating resistor:	240 kOhm	240 kOhm
Dimensions:	W 36.0 x H 68.0 x D 75.0 mm	W 36.0 x H 68.0 x D 75.0 mm
Mounting dimensions / Housing material quality:	-	-
Ambient temperature:	0°C ... 50°C	0°C ... 50°C
Atomspheric humidity:	< 95 % RH (not condensed)	< 95 % RH (not condensed)
Weight:	250 g	250 g
Ingress protection class (Housing / Connections):	IP 50 / IP 20	IP 50 / IP 20
LED-Display:	Green - Power supply Orange - Wire break Red - Alarm relay	Green - Power supply Orange - Wire break Red - Alarm relay
Function:	Leakage detector for e.g. ingress of water - with test function button - external reset key	Leakage detector for e.g. ingress of water - with test function button - external reset key
EMV 83/336/EG:	EN 61000-6-2 / EN 61000-6-3 EN 61000-4-2 EN 61000-4-3 EN 61000-4-6 EN 61000-4-13	EN 61000-6-2 / EN 61000-6-3 EN 61000-4-2 EN 61000-4-3 EN 61000-4-6 EN 61000-4-13
Mounting:	11-pole mounting socket type MST11 (Please ordered separately)	11-pole mounting socket type MST11 (Please ordered separately)
Approvals / Certificates:	GL / BV	GL / BV



Type key page 213