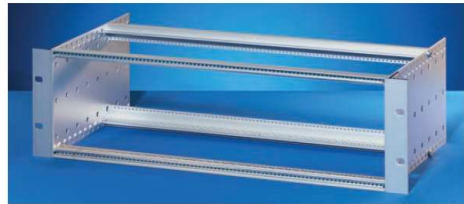


Europac Pro Subrack



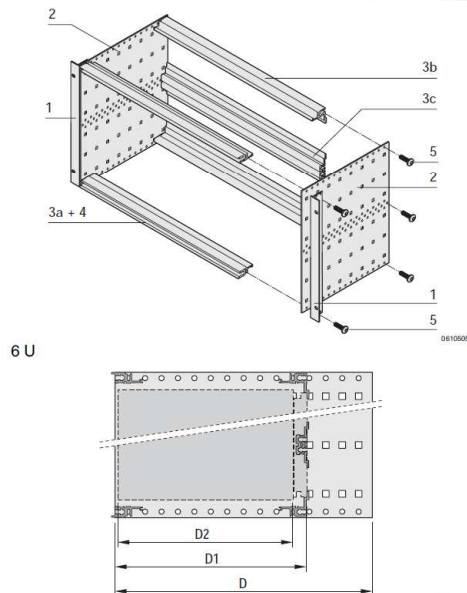
Kit, unshielded, "light", for fitting of male connector



- Subrack in lightweight version ("light")
- Rear horizontal rails for connector mounting (IEC 60603-2/DIN 41612)

Delivery comprises (kit)

Item	Qty	Description
3 U	6 U	
1	2	19" support bracket for stainless steel EMC gasket
2	2	Side panel type F
3a	2	Front horizontal rail (L-KD)
3b	2	Rear horizontal rail (L-MZ) for connector mounting
3c	-	Centre horizontal rail (MZ)
4	2	Threaded insert to front (pre-fitted)
5	1	Assembly kit
6	1	User manual



Order Information

Height	Width	Depth	Depth D1	Depth D2	Part no.
U	HP	mm	mm	mm	
3	84	175	175	160	24563-191
3	84	235	175/235	160/220	24563-192
3	84	295	175/235/295	160/220/280	24563-193
3	84	355	175/235/295/355	160/220/280/340	24563-194
6	84	175	175	160	24563-491
6	84	235	175/235	160/220	24563-492
6	84	295	175/235/295	160/220/280	24563-493
6	84	355	175/235/295/340	160/220/280/340	24563-494
Assembly kit, PU 8 x screw, washer, nut for assembly of subracks in a 19" case or a cabinet					21100-435

Guide rails (standard), ESD clips

Depth D2	Qty/PU	Part no.
mm		
160	10	24560-351
220	10	24560-353
280	10	24560-379
340	10	24560-380
ESD clip for guide rails PU 50 pieces		24560-255

Note



Horizontal rail to rear for connector mounting

Koning & Hartman B.V.

Energieweg 1
2627 AP Delft
P.o. box 5080
2600 GB Delft
The Netherlands

T +31 (0)15 260 99 06
F +31 (0)15 261 91 94
E info@koninghartman.com
I koninghartman.com

CoC 34.222.312
VAT NL.8141.69.144.B.01

F. van Lanschot Bankiers
69.94.03.383

Heeft u vragen over dit product, of zoekt u een subrack in andere afmetingen of uitvoering, neem dan contact op met onze specialisten op tel 015-260 9803 of email naar sales.delft@koninghartman.com