

...Measurement and overhang detection in one system



Features

Object100

- Extremely high sampling rate
- Integrated LED for diagnosis and alignment
- Cascaded systems possible
- Up to 2.2 m measuring field height
- Operating range of up to 4 m
- 10 and 25 mm pitch

ObjectC 100

- RS485 interface
- CAN-bus interface
- Digital inputs and outputs
- Analog output
- Stand-alone solution
- IP54 housing

Technical Data

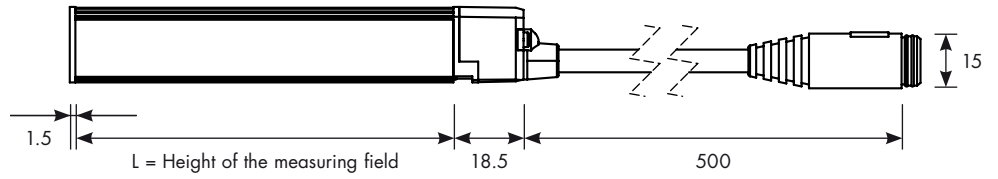
Light curtain Object100

Range	0 ... 4 m	Enclosure treatment	Polyester powder-coated
Measuring field height	50 – 1200mm Standard 50 – 2200mm Robust	Connection cable length	Standard 2, 3, 5 and 8 m
No. of beams	2 – 254	Operating temperature range	0° ... +55°C
Pitch	10 mm / 25 mm	Relative air humidity	15 ... 95%, non-condensing
Aperture geometry	3.1 x 8 mm	Enclosure rating	IP54
Housing	15 x 20 mm standard profile 30 x 40 mm robust profile	Approvals	CE, cULus, ATEX (Zone 22)*
Material profile	Aluminum, Polycarbonate		

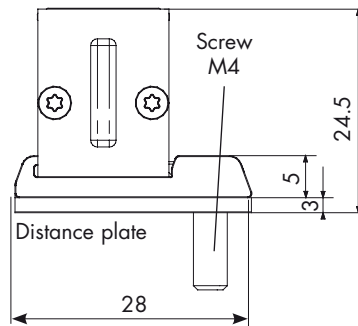
*ATEX approved version available on request

Controller Part. No.	ObjectC 100 I/O 104 920	ObjectC 100 CAN 104 901	ObjectC 100 RS485 104 913	ObjectC 100 Analog 108 947
Supply voltage	24 VDC (EN 60204-1) ± 20%			
Current consumption (without load)	max. 200 mA @ 24 VDC			
Inrush current	<2A/10ms			
Interfaces	2 inputs (24 V) 6 outputs (24 V)	2 inputs (24 V) 2 outputs (24 V) CAN-bus interface	2 inputs (24 V) 2 outputs (24 V) RS485 interface	2 inputs (24 V) 2 outputs (24 V) Output level current 4 – 20 mA or Output level voltage 0V – 10VDC
Digital Outputs	PNP/NPN, Push-Pull			
Max. Load (short circuit-proof)	max. per output 150 mA (24 V)			
Terminal	Push-wire connector			
Mounting	DIN-rail 35 mm or with mounting holes			
Enclosure rating	IP54 (Housing)			
Housing materials	ABS (FR) UL94-V0			

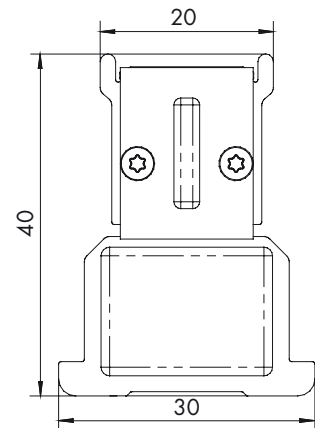
Object100



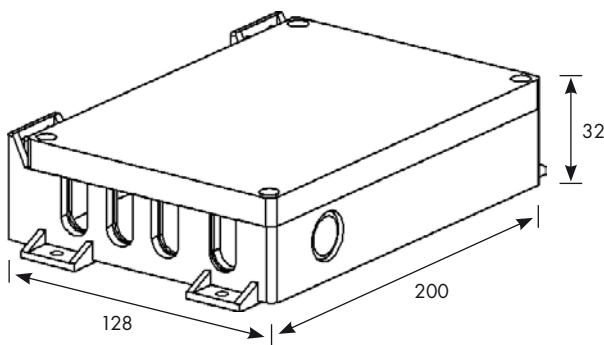
Standard mounting



Robust Profile



ObjectC 100 controller

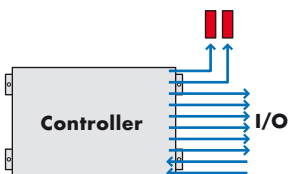


suitable for
DIN rail
mounting

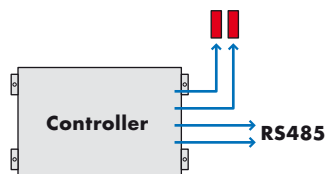
(All Dimensions in mm)

Block Diagram

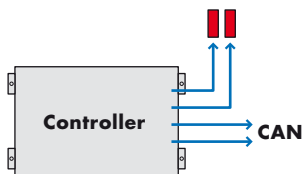
Digital I/O



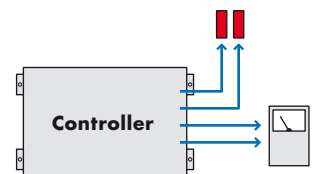
RS485



CAN



Analog



Ordering information

System (Standard profile)		Range	Pitch	Monitored Height*	Response Time (typ.)			
Part No.	Description	(m)	(mm)	(mm)	(ms)			
					ObjectC 100 I/O	ObjectC 100 I/O C002	ObjectC 100 CAN	ObjectC 100 RS485
Pitch 10mm								
104 159 0045	Object100-150-10	4	10	150	9	4	8	8
104 159 0046	Object100-300-10	4	10	300	12	6	13	13
104 159 0047	Object100-450-10	4	10	450	16	8	17	17
104 159 0042	Object100-600-10	4	10	600	20	10	22	22
104 159 0048	Object100-750-10	4	10	750	24	12	26	26
104 159 0058	Object100-900-10	4	10	900	28	14	31	31
104 159 0059	Object100-1200-10	4	10	1200	36	18	36	36

Pitch 25mm

104 159 0044	Object100-300-25	4	25	300	8	4	7	7
104 159 0049	Object100-600-25	4	25	600	11	5	11	11
104 159 0050	Object100-900-25	4	25	900	14	7	14	14
104 159 0051	Object100-1200-25	4	25	1200	17	9	18	18

*Many other monitored heights or cascaded systems are available on request.

All systems contain a receiver and a emitter slim profile (20 x 15mm), a mounting kit standard 15mm, manual and packaging. Connection cables have to be ordered separately.

Controller Part No.	Description		
104 920	ObjectC 100 I/O	Control unit	digital interface
104 920 C002	ObjectC 100 I/O C002	Control unit	digital interface, shortened response time, less functionality
104 901	ObjectC 100 CAN	Control unit	CAN interface
104 913	ObjectC 100 RS485	Control unit	RS485 interface
108 947	ObjectC 100 Analog	Control unit	analog interface

Accessories

Part No.	Description
106 504	Cable, Rx/Tx, 0.3m, RJ45-MiniDin, 8pol, M-M
106 505	Cable, Rx/Tx, 2m, RJ45-MiniDin, 8pol, M-M
106 506	Cable, Rx/Tx, 3m, RJ45-MiniDin, 8pol, M-M
106 507	Cable, Rx/Tx, 5m, RJ45-MiniDin, 8pol, M-M
106 508	Cable, Rx/Tx, 8m, RJ45-MiniDin, 8pol, M-M
102 792	Cable, 1m, MiniDin-MiniDin, 8pol, M-F
102 793	Cable, 3m, MiniDin-MiniDin, 8pol, M-F
106 495	Mounting kit standard profile 15x20mm
106 500	Mounting kit standard profile 30x40mm
106 496	Mounting kit 180° adjustable for profile 15x20mm
106 497	Mounting kit 180° adjustable for profile 30x40mm
104 878	Operating manual Object100

