

# iX Panel TA black



## Characteristics

- Rugged design for maritime requirements
- Compass safe distance defined
- Various certifications for major classification societies
- 100% dimmable backlight
- 2x LAN interface
- IP66 degree of protection
- State-of-the-art screen design for efficient work flow

## TECHNICAL DATA

Display	
Coloration	64K color TFT
Type of data entry	Resistive Touch
Degree of protection	IP66 / NEMA 4
Voltage supply	
Operating voltage	24 VDC (20 - 30 V)
Power consumption	max. 2 A
System	
Processor	Intel™ Atom® Z-series 1.1 GHz
Main memory	1024 MB
Internal storage memory	2 GB
External storage media	SD card
Operating system	Windows CE
Interfaces	
Serial	1 x RS232 1 x RS422/485
Ethernet	2 x 10/100 Mbit/s RJ45
USB	USB 2.0
Communication modules	Profibus DP, MPI, CAN
General information	
Frame material	Aluminum
Front foil	acid-resistant polyester foil
Certifications	DNV*
Operating temperature	0 to 55 °C
Storage temperature	-20 to 60 °C

\* in progress

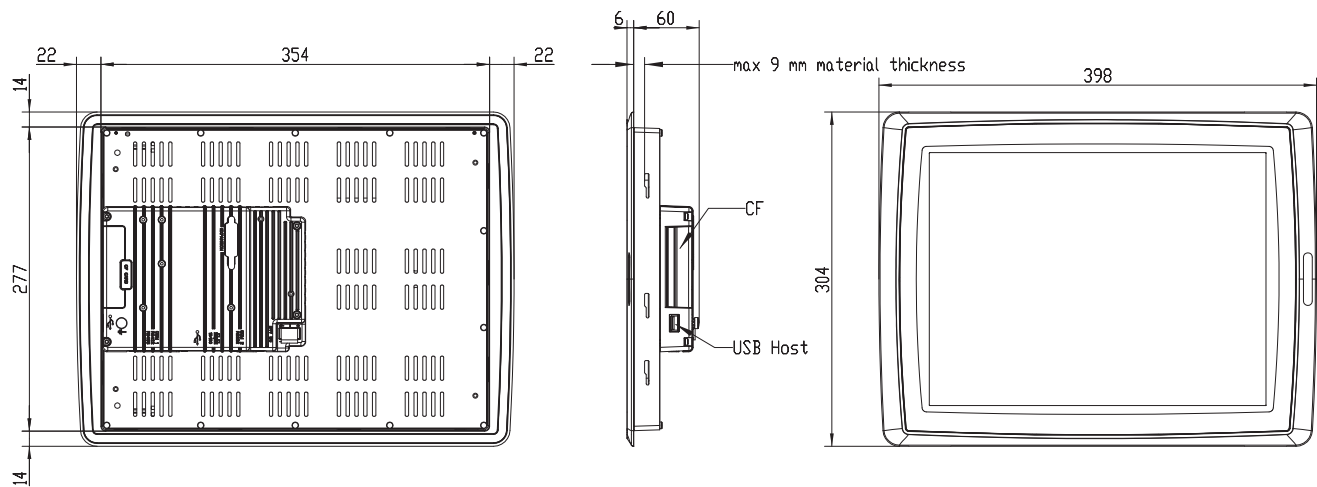
# iX Panel TA150 bl



## TECHNICAL DATA (for further data, see page 1.6)

Display	
Size in inches	15"
WxH resolution in pixels	1024 x 768
General information	
Outer dimensions in mm WxHxD	398 x 304 x 66
Panel profile in mm WxH	356 x 279
Weight	ca. 4 kg
Order information	
Description of item	iX Panel TA150 bl

## Dimensional drawings in mm



Cut out  
 $355.5 \pm 1 \times 278.5 \pm 1$  mm  
 $(14 \pm 0.04 \times 10.96 \pm 0.04)$  inch