

iX Panel T7A

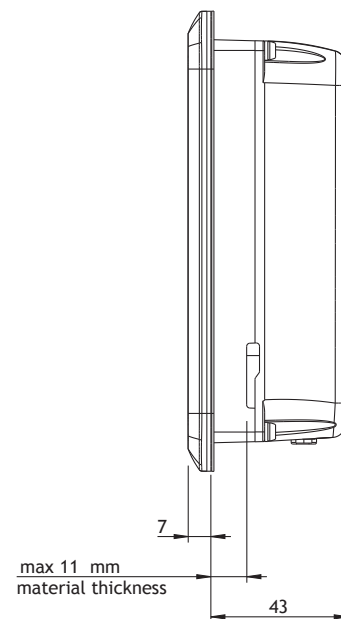
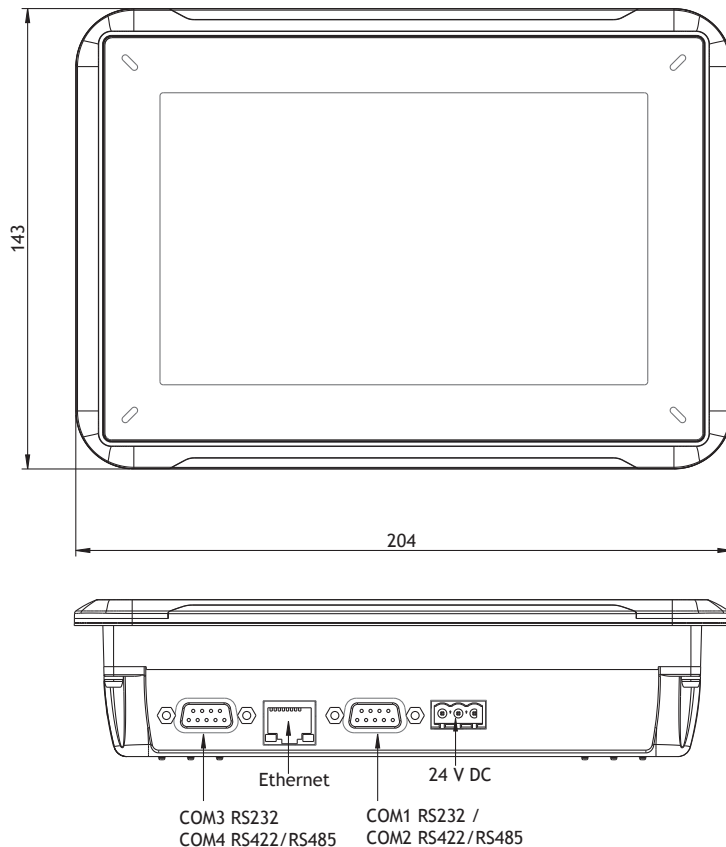
Widescreen 7" Display with Powerful Software

The 7" iX Panel T7A is a high-performance panel with wide-screen format and universal connectivity. Features include a 800 x 480 pixel high-resolution 7" TFT-display with resistive touch screen and iX Software for automation control.



Product Highlights

- ▶ 800 x 480 pixel, 7" diagonal, LED lighted, TFT color LCD touch screen display
- ▶ 10/100Base-T Ethernet
- ▶ Four serial ports (RS-232, -422, -485)
- ▶ Powder-coated aluminum housing
- ▶ iX Software with protocols for most industrial automation controllers



Dimensions shown in mm.

iX Panel T7A Specifications

Feature	Detail	Description
Display	Type	800 x 480, TFT Color LCD
	Size	7" (178 mm) diagonal
	Lighting	White LED
Touch Screen	Type	Analog-resistive
Interface	Ethernet	10/100Base-T, RJ-45
	Serial	Four RS-232/422/485
	USB	One USB 2.0 full-speed host port
Processor	Type	ARM9 400 MHz
Memory	RAM	64 MB
	Flash	80 MB
	Expansion	One SD card
Realtime Clock	Standard	Battery-backed
Power	Input Voltage	24 VDC
	Consumption	250 mA (typical), 2.0 A (max) @ rated voltage
Mechanical	Type	Panel-mount
	Size	204 (W) x 143 (H) x 50 (D) mm
	Cut-out Dimensions	187 x 126 mm
	Mass	0.8 kg
	Housing Material	Powder-coated aluminum

Environmental	Sealing - Front Panel	IP65
	Temperature	Operating: -10 to 60 °C; Storage: -20 to 85 °C
Certifications	UL	UL 508 (pending)
	CE	EN61000-6-4, EN61000-6-2

Software	Development Environments	iX Developer
	Runtime Environments	iX Software



US Office

Beijer Electronics, Inc.
2212 South West Temple #50
Salt Lake City, Utah 84115-2648 USA

www.BeijerElectronicsInc.com / 801-466-8770

Headquarters

Beijer Electronics Products AB
P.O. Box 426
201 24 Malmö, Sweden

www.BeijerElectronics.com / +46 40 35 86 00

M01-064-00 REV 01

4 MARCH 2011

Copyright © 2011 Beijer Electronics. All rights reserved.

The information at hand is provided as available at the time of printing. Beijer Electronics reserves the right to change any information without updating this publication. Beijer Electronics does not assume any responsibility for any errors or omissions in this publication.