



## Main Features

- ♦ IP65 compliant plastic front bezel with flush panel by 5-wire touch screen
- ♦ Dual display input interface: analog VGA and DVI-D
- ♦ Shares identical appearance with APPC series
- ♦ Dual touch screen interface: RS232 and USB
- ♦ Ultra slim in depth
- ♦ OSD Multilanguage function

## Product Overview

12.1" 4:3 LCD display APPD 1200T is based on a 5-wire resistive touch screen. It has 450 nits brightness and can support resolutions up to 800x600. APPD 1200T is ideal for space-critical environments where systems and displays are kept apart. In addition, APPD 1200T adopts a flush panel design and has IP65 front panel. APPD 1200T provides prevailing video interfaces: VGA and DVI, supporting both digital and analog signals; touch screen can be connected with RS232 or USB ports. Moreover, APPD 1200T supports 12~24V power input and offers panel mount and VESA mount, allowing users to choose the mounting method that meets their situation. APPD 1200T is the best solution for NEXCOM NISE fanless computer, NVIS security surveillance series and APPC panel PC when a second display is required.

## Specifications

### Panel

- ♦ LED Size: 12.1", 4:3
- ♦ Resolution: SVGA 800x600
- ♦ Luminance: 450cd/m<sup>2</sup>
- ♦ Contrast ratio: 700
- ♦ LCD color: 16.2M
- ♦ Viewing Angle: 65(U), 75(D), 80(L), 80(R)
- ♦ Backlight: LED

### Touch Screen

- ♦ 5-wire resistive (flush panel type)
- ♦ Light transmission: 80%
- ♦ Interface: USB and RS232

### Rear I/O

- ♦ Touch screen interface port: RS-232 (1x DB9) / USB Type A
- ♦ Video port: VGA (1x DB15) / DVI-D (1x DVI-I connector)
- ♦ DC power input connector: 3-Pin Phoenix terminal Blocks

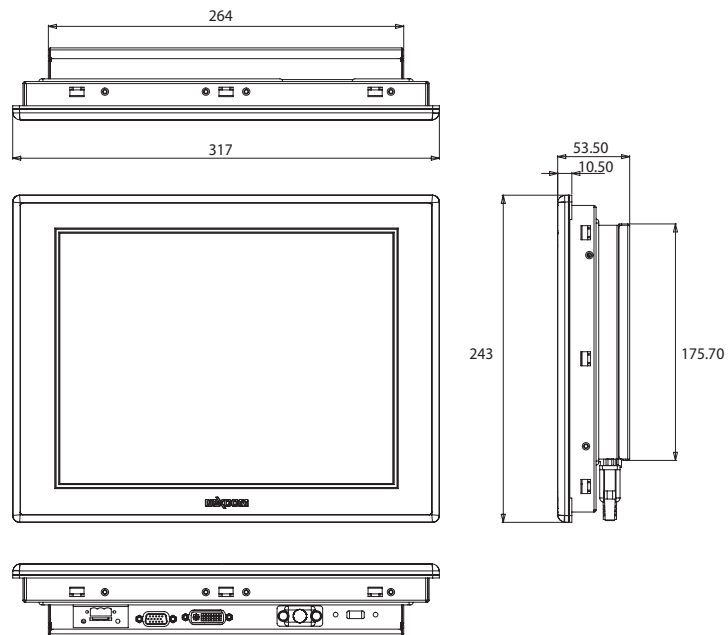
### OSD Function

- ♦ OSD keypad
- ♦ Multilanguage OSD

### Mechanical & Environment

- ♦ Color: pantone black
- ♦ IP protection: IP65 front
- ♦ Mounting: panel/ wall/ stand/ VESA 100mm x 100mm
- ♦ Power input: 12V~24VDC
- ♦ Power adapter: optional AC to DC power adaptor (+12V, 60W)
- ♦ Vibration:
  - IEC 68 2-64
  - 2Grms @ sine, 5~500Hz, 1hr/axis (Operating)
  - 2.2Grms @ random condition, 5~500Hz, 0.5hr/axis (Non-operating)
- ♦ Shock:
  - IEC 68 2-27
  - 20G@wall mount, half sine, 11ms
  - Operating temperature: -5°C to 60°C
  - Storage temperature: -20°C to 75°C
- ♦ Operating humidity: 10%~90% relative humidity, non-condensing
- ♦ Dimension: 317 x 243 x 53.5mm
- ♦ Weight: 2.9Kg

## Dimension Drawing



### Certifications

- CE approval
- FCC Class B

## Ordering Information

### • APPD 1200T (P/N: 10IAD120000X0)

12.1" SVGA industrial 4:3 LED Backlight flush touch monitor with VGA and DVI-D input, 12~24VDC input, RS-232 and USB touch screen interfaces

### Options

- 12V, 60W AC/DC power adapter w/o power cord (P/N: 7400060011X00)
- 1.8m DVI-D male to DVI-D male Cable (P/N: 60233DVI28X00)