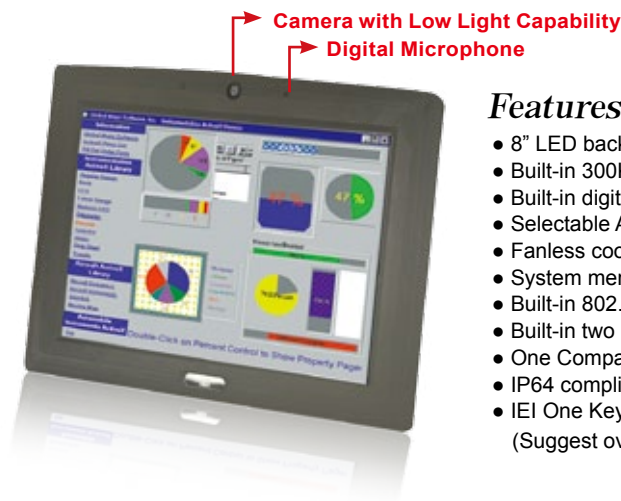


8" SVGA AFOLUX PPC

# AFL-08B-N270

Intel® Atom™ Processor N270 1.60 GHz



## Features

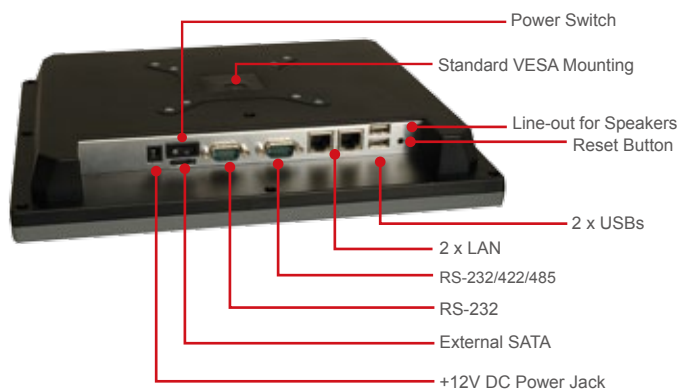
- 8" LED backlight LCD panel with resistive type touch screen
- Built-in 300K pixel camera with low light capability
- Built-in digital microphone
- Selectable AT/ATX power mode via internal switch
- Fanless cooling system
- System memory up to 2 GB SDRAM
- Built-in 802.11b/g/n Wireless LAN
- Built-in two 1.5 W speakers
- One CompactFlash® slot
- IP64 compliant front panel
- IEI One Key Recovery solution allows you to create rapid OS backup and recovery (Suggest over 4GB storage capacity)



## Specifications

| Model                           | AFL-08B-N270  |
|---------------------------------|---|
| LCD Size                        | 8"  |
| Max Resolution                  | 800 x 600   |
| Brightness (cd/m <sup>2</sup> ) | 250   |
| Contrast Ratio                  | 400 : 1   |
| LCD Color                       | 262K  |
| Pixel Pitch (mm)                | 0.2025 (H) x 0.2025 (V)   |
| Viewing Angle (H-V)             | 140° / 130°   |
| Backlight MTBF                  | 30000 hrs (LED backlight)   |
| SBC Model                       | AFLMB-945GSE-N270-R10   |
| CPU                             | Intel® Atom™ Processor N270 (512K L2 Cache, 1.60 GHz, 533 MHz FSB)  |
| Chipset                         | Intel® 945GSE + ICH7M   |
| RAM                             | Supports one 400MHz or 533MHz DDR2 SO-DIMM (2GB Max.)   |
| I/O Ports                       | 1 x RS-232 COM Port<br>1 x RS-232/422/485 COM Port<br>2 x RJ-45 for GbE<br>2 x USB 2.0<br>1 x Power Switch<br>1 x Reset Button<br>1 x External SATA<br>1 x Audio Port<br>1 x Power Jack |
| SSD                             | CF Type II  |
| Watchdog Timer                  | Software programmable supports 1~255 sec. system reset  |
| Audio                           | AMP 1.5W + 1.5W (internal speakers)   |
| Camera Module                   | 300K pixel camera with digital microphone   |
| Wireless Connection             | 1 x Wireless LAN 802.11 b/g/n Module (internal PCIe Mini card interface)  |
| Construction Front Panel        | ABS + PC Plastic front frame  |
| LED Function                    | 1 x Power on/off LED on front panel   |
| Mounting                        | Panel, Wall, Rack, Stand and Arm<br>VESA 75mm x 75mm  |
| Front Panel Color               | Gray 7539U  |
| Dimensions (WxHxD) (mm)         | 234 x 177 x 43  |
| Operation Temperature (°C)      | -10°C ~50°C   |
| Storage Temperature (°C)        | -20°C ~60°C   |
| N/G Weight                      | 0.8 Kg  |
| IP Level                        | IP64 compliant front panel  |
| Safety & EMC                    | CE / FCC  |
| Touch Screen                    | 5-wire resistive type (touch controller IC is on board)   |
| Power Adapter                   | P/N: 63000-FSP036RAB608-RS<br>36W Power Adapter<br>Input: 90VAC~264VAC, 50/60Hz<br>Output: 12VDC  |
| Power Requirement               | 12VDC   |
| Power Consumption               | 25W   |

## Fully Integrated I/O



## LED-backlight PPC Delivers Vivid Images

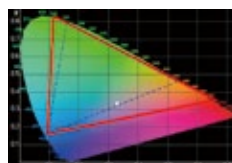
The AFL-08B-N270 is the first panel PC with its compact size to incorporate a LED backlight - making viewing and editing photos a lot better than previous CCFL illumination models.

### LED backlighting PPC displays clear and vivid pictures!

#### Enhancement of image quality on LCD screen

- Wider color gamut
- More even screen illumination
- Longer display life
- Low temperature operation and greater power efficiency

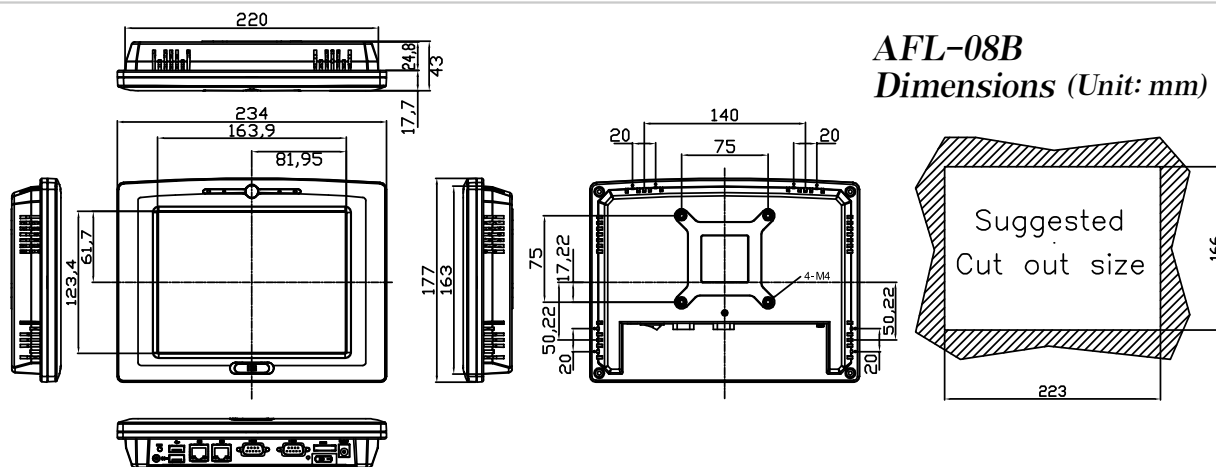
#### Color Gamut Comparison



— LED  
- - - Normal CCFL

The LED backlight makes the image color shown on the LCD screen look nature and vivid.

## AFL-08B Dimensions (Unit: mm)



## Ordering Information

| Part Number           | Description  |
|-----------------------|--|
| AFL-08B-N270/R/1G-R22 | 8" 250 cd/m <sup>2</sup> , SVGA fanless panel PC with Intel® Atom™ N270 1.6GHz, 802.11b/g/n wireless module, touch screen, 300K pixel camera with digital microphone, 1GB DDR2 533MHz, R22 |

## Options

| Option                            | Part Number                 |
|-----------------------------------|-----------------------------|
| Panel Mounting Kit                | AFLPK-12                    |
| Wall Mounting Kit                 | AFLWK-12                    |
| Rack Mounting Kit                 | AFLRK-08                    |
| Arm                               | ARM-11-RS / ARM-31-RS       |
| Stand                             | STAND-A08 / STAND-100-RS    |
| VSTAND                            | VSTAND-A10                  |
| 9~30VDC to 12VDC converter module | IDD-930160-KIT              |
| OS: Win CE 6.0 (128 MB CF card)   | AFLCF-08-N270-CE060-R21     |
| OS: Win XPE (1 GB CF card)        | AFLCF-08-N270-XPE-R21       |
| OS: LINUX (2 GB CF card)          | AFLCF-08-N270-LNX-R21       |
| OS: Win 7 Embedded (2GB CF card)  | AFLCF-08-N270-WES7E-R21     |
| Hybrid Card Reader                | AFLP-08BMSI-U               |
| Magnetic Stripe Reader            | AFLP-08BMSR-U               |
| DC 12V Input UPS                  | AUPS-A10-R10 (7.4V 3800mAH) |
| DC 9~36V Input UPS                | AUPS-A20-R10 (7.4V 3800mAH) |
| Bluetooth V2.0+EDR                | AFL-BT-KIT02-R10            |

Note: Win CE application without digital microphone function

## ISMM Supported Functions

|              | Voltage | Fan | Smart Fan | Temperature | WDT | Cash Drawer |
|--------------|---------|-----|-----------|-------------|-----|-------------|
| AFL-08B-N270 | V       |     |           | V           | V   |             |

## Packing List

| Item                | Part Number           | Q'ty | Specification  |
|---------------------|-----------------------|------|--|
| Screw Pack          | 44013-030041-RS       | 4    | M3;5mm   |
| Power Adpater       | 63000-FSP036RAB608-RS | 1    | 90~264V AC; 12V DC; 36W                              |
| Power Cord          | 32000-000002-RS       | 1    | 1750mm (EU or US, depending on the shipment country) |
| Utility CD          | 7B000-000087-RS       | 1    |  |
| Touch Pen           | 43125-0002C0-00-RS    | 1    |  |
| One Key Recovery CD |                       | 1    |  |