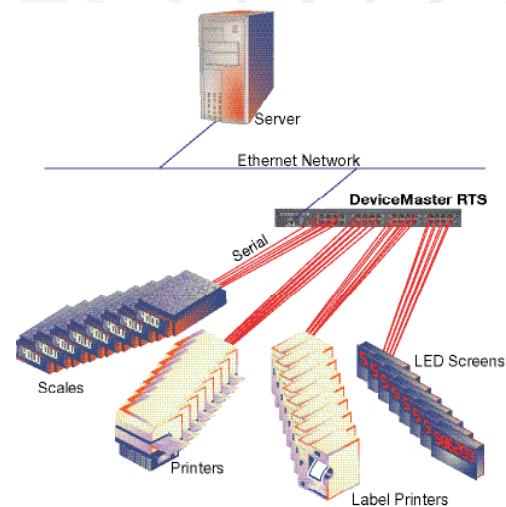


HIGHLIGHTS

- RoHS Directive 2002/95/EC compliant
- No serial cable distance limitations enables communication between a host PC and serial devices located anywhere across an Ethernet network
- RS-232, RS-422, or RS-485 software selectable
- Native COM, TTY, or TCP/IP Socket communication modes
- Provides 32 serial ports in a 1U rackmount space
- Web-based configuration makes setup and management changes quick and easy
- Real-time e-mail event notification alerts administrator of potential connection and security issues
- Rugged metal housing enables rack mounting
- Operating temperature of -37° to 74°C rated for extreme conditions
- PortVision® remote monitoring and management
- Software developer kit available for users interested in writing custom applications to run on the DeviceMaster platform
- SSL & SSH management, SSL serial data stream encryption



Part Number
99456-5



Ethernet-Enabled Serial Devices
using NS-Link COM/TTY Driver



DeviceMaster® RTS 32-Port RJ45 Rackmount

The Control DeviceMaster RTS 32-Port Rackmount RJ45 is a 32-port device server designed for network-enabling serial communications devices. When used with the included NS-Link™ driver software and a host PC, the DeviceMaster RTS enables placement of COM or TTY ports anywhere on an Ethernet network or across the Internet. In applications where connecting legacy serial devices to a PC without

software changes is a requirement, a pair of DeviceMaster RTS units can be used to create a point-to-point serial tunnel across the network that seamlessly transfers serial data via TCP or UDP socket connections.



SPECIFICATIONS

HARDWARE

Processor	ARM7 44Mhz
8MB RAM	
4MB Flash (Programmable)	
(1) 10/100 Base-T Ethernet	
Black Finished Steel Enclosure	
Product Weight	6.40 Lbs
Packaged Shipping Weight	8.96 Lbs
LED Indicators	
Status	
Ethernet Link/Activity	
Collision	
100MB Ethernet	
RX/TX Per Port	
Surge Protection	15KV

ELECTRICAL SPECIFICATIONS

Device Consumption	22.0 Watts
Internal Power Supply	(Included)
Input	
	90 to 260 VAC @ 60Hz

ENVIRONMENTAL SPECIFICATIONS

Operating Temperature*	-37 to 74°C
Storage Temperature	-40 to 85°C
Operating Humidity	5% to 95%
Altitude	0 to 10,000 Ft
Heat Output	75.0 BTU/Hr
Mean time between failures	6 Years

SERIAL COMMUNICATIONS

Software-Selectable	RS-232/422/485
Baud Rates	50 to 230 Kbps
Serial Connectors	(32) RJ45
Data Bits	7 or 8
Parity	Odd, Even, None
Stop Bits	1 or 2

DEVICE DRIVERS

Linux
 Microsoft® Windows® 7
 Microsoft® Windows® 2008 Server
 Microsoft® Windows® Vista
 Microsoft® Windows Server® 2003
 Microsoft® Windows® XP
 Microsoft® Windows NT® 4.0 (Legacy)
 Microsoft® Windows® 2000 (Legacy)

REGULATORY APPROVAL MARKS



EXPORT INFORMATION

Packaged Shipping Weight	9.04lbs
Package Shipping Dimensions	19.63" x 4" x 14"
UPC Code	7-56727-99456-5
ECCN	5A992
Schedule B Number	8471.80.1000

REGULATORY STANDARDS

Immunity
 EN55024; EN61000-4-2, EN61000-4-3, EN61000-4-4, EN61000-4-5, EN61000-4-6, EN61000-4-8, EN61000-4-11, IEC 1000-4-2, IEC 1000-4-3, IEC 1000-4-4, IEC 1000-4-5, IEC 1000-4-6, IEC 1000-4-8, IEC 1000-4-11

Emission
 EN55022 & A1:2000 IEC 1000-3-2, IEC 1000-3-3, CISPR-22, ICES-003,

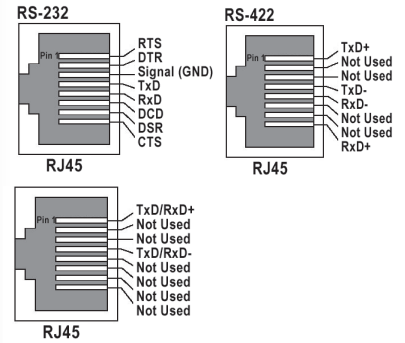
Safety
 EN60950, IEC 60950, CSA C22.2 No. 50/UL60950

FEATURES

Lowest Latency
 NS-Link COM/TTY Port Redirector
 PortVision Remote Management
 TCP/IP & UDP Socket Services
 Telnet
 HTTP
 SNMP
 DHCP / RARP / ARP / BOOTP / Ping
 Hardware & Software Flow Control
 Watchdog Reset
 Event Notification
 RFC 1006
 Supports IP multicast data transmission



SERIAL PIN ASSIGNMENTS



DEVICEMASTER 32-PORT DIMENSIONS



ORDERING INFORMATION

99456-5 DeviceMaster RTS 32-Port RJ45 Rackmount

PRODUCT SUPPORT & SERVICE INFORMATION

Warranty Information

Comtrol offers a 30-day satisfaction guarantee and 5-year limited warranty.

Sales Support

+1.763.957.6000
 sales@comtrol.com

Technical Support

+1.763.957.6000
 www.comtrol.com/support

Email, FTP, and Web Support

info@comtrol.com
 ftp.comtrol.com
 www.comtrol.com

*We have tested the products to run at these temperatures.