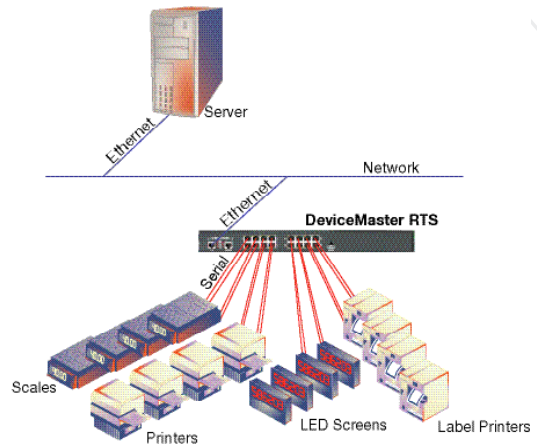


## HIGHLIGHTS

- RoHS Directive 2002/95/EC compliant
- No serial cable distance limitations enables communication between a host PC and serial devices located anywhere across an Ethernet network
- RS-232, RS-422, or RS-485 software selectable
- Application compatibility supports native COM, TTY, or TCP/IP socket communication modes
- Built-in two-port 10/100 Ethernet switch simplifies network connection
- Web-based configuration makes setup and management changes quick and easy
- Real-time e-mail event notification alerts administrator of potential connection and security issues
- Wide operating temperature of -20° to 60°C
- 1U rack mount housing provides compatibility with existing IT equipment
- PortVision® Plus remote monitoring and management software
- Software developer kit available for users interested in writing custom applications to run on the DeviceMaster platform
- SSL & SSH management, SSL serial data stream encryption



Part Number  
99450-3



Ethernet-Enabled Serial Devices  
using NS-Link COM/TTY Driver

## DeviceMaster® RTS 16-Port RJ45

The Control DeviceMaster RTS 16-Port RJ45 is a 16-port device server designed for network-enabling serial communications devices. When used with the included NSLink™ driver software and a host PC, the DeviceMaster RTS enables placement of COM or TTY ports anywhere on an Ethernet network or across the Internet. In applications where connecting legacy serial devices to a PC without software changes is a

requirement, a pair of DeviceMaster RTS units can be used to create a point-to-point serial tunnel across the network that seamlessly transfers serial data via TCP or UDP socket connections.



## SPECIFICATIONS

### HARDWARE

<b>Processor</b>	ARM7 44Mhz
<b>8MB RAM</b>	
<b>4MB Flash (Programmable)</b>	
<b>(2) 10/100 Base-T Ethernet</b>	
<b>Rackmount Enclosure</b>	
<b>Product Weight</b>	2.25 Lbs
<b>Packaged Shipping Weight</b>	5.66 Lbs
<b>LED Indicators</b>	
Status	
Ethernet Link/Activity	
Collision	
100MB Ethernet	
RX/TX Per Port	
<b>Surge Protection</b>	15KV

### ELECTRICAL SPECIFICATIONS

<b>Device Requirements</b>	9 to 30 VDC
<b>Device Consumption</b>	11.76 Watts
<b>External Power Supply</b>	(Included)
Input	
90-260 VAC @ 50-60Hz	
Output	
490mA @ 24 VDC	

### ENVIRONMENTAL SPECIFICATIONS

<b>Operating Temperature*</b>	-20° to 60°C
<b>Storage Temperature</b>	-20° to 85°C
<b>Operating Humidity</b>	5% to 95%
<b>Altitude</b>	0 to 10,000 F
<b>Heat Output</b>	40.1 BTU/Hr
<b>Mean time between failures</b>	13.2 Years

### SERIAL COMMUNICATIONS

<b>Software-Selectable</b>	RS-232/422/485
<b>Baud Rates</b>	50 to 230 Kbps
<b>Serial Connectors</b>	(16) RJ45
<b>Data Bits</b>	7 or 8
<b>Parity</b>	Odd, Even, None
<b>Stop Bits</b>	1 or 2

### DEVICE DRIVERS

Linux  
 Microsoft® Windows® 7  
 Microsoft® Windows® 2008 Server  
 Microsoft® Windows® Vista  
 Microsoft® Windows Server® 2003  
 Microsoft® Windows® XP  
 Microsoft® Windows NT® 4.0 (Legacy)  
 Microsoft® Windows® 2000 (Legacy)

### REGULATORY APPROVAL MARKS



### EXPORT INFORMATION

<b>Packaged Shipping Weight</b>	5.86lbs
<b>Package Shipping Dimensions</b>	19.625" x 4" x 14"
<b>UPC Code</b>	7-56727-99450-3
<b>ECCN</b>	5A992
<b>Schedule B Number</b>	8471.80.1000

### REGULATORY STANDARDS

**Immunity**  
 EN55024; EN61000-4-2, EN61000-4-3, EN61000-4-4, EN61000-4-5, EN61000-4-6, EN61000-4-8, EN61000-4-11, IEC 1000-4-2, IEC 1000-4-3, IEC 1000-4-4, IEC 1000-4-5, IEC 1000-4-6, IEC 1000-4-8, IEC 1000-4-11

**Emission**  
 EN55022 & A1:2000 IEC 1000-3-2, IEC 1000-3-3, CISPR-22, ICES-003,

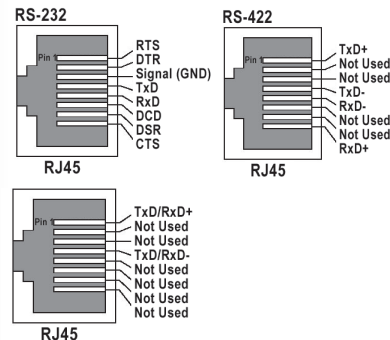
**Safety**  
 EN60950, IEC 60950, CSA C22.2 No. 50/UL60950

### FEATURES

Lowest Latency  
 NS-Link COM/TTY Port Redirector  
 PortVision Remote Management  
 TCP/IP & UDP Socket Services  
 Telnet  
 HTTP  
 SNMP  
 DHCP / RARP / ARP / BOOTP / Ping  
 Hardware & Software Flow Control  
 Watchdog Reset  
 Event Notification  
 RFC 1006  
 Supports IP multicast data transmission



### SERIAL PIN ASSIGNMENTS



### DEVICEMASTER 16-PORT DIMENSIONS



### ORDERING INFORMATION

99450-3 DeviceMaster RTS 16-Port RJ45

### PRODUCT SUPPORT & SERVICE INFORMATION

#### Warranty Information

Control offers a 30-day satisfaction guarantee and 5-year limited warranty.

#### Sales Support

+1.763.957.6000  
 sales@comtrol.com

#### Technical Support

+1.763.957.6000  
 www.comtrol.com/support

#### Email, FTP, and Web Support

info@comtrol.com  
 ftp.comtrol.com  
 www.comtrol.com

\*We have tested the products to run at these temperatures.