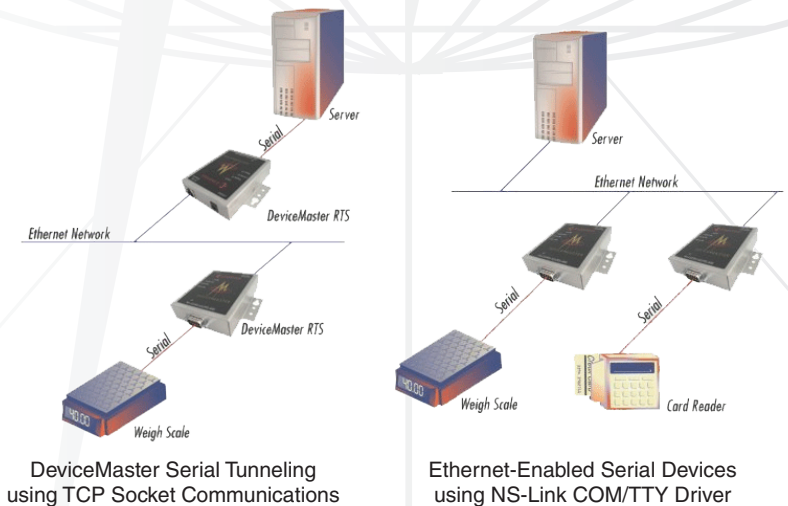


HIGHLIGHTS

- RoHS Directive 2002/95/EC compliant
- No serial cable distance limitations enables communication between a host PC and serial devices located anywhere across an Ethernet network
- RS-232/422/485 software selectable
- Supports native COM, TTY, or TCP/IP Socket communication modes
- Web-based configuration makes setup and management changes quick and easy
- Rugged stainless steel housing enables DIN rail or panel mounting
- Temperature rated for extreme conditions (-37° to 74°C)
- PortVision® Plus remote monitoring and management software
- Software Developer Kit available for users interested in writing custom applications to run on the DeviceMaster platform
- NEMA TS2 Certified



Part Number
99435-0



DeviceMaster® RTS DB9M 1-Port



The Control DeviceMaster RTS 1-Port DB9 is a single-port device server designed for network-enabling serial communications devices. When used with the included NS-Link™ driver software and a host PC, the DeviceMaster RTS enables placement of COM or TTY ports anywhere on an Ethernet network or across the Internet.

In applications where connecting legacy serial devices to a PC without software changes is a requirement, a pair of DeviceMaster RTS units can be used to create a point-to-point serial tunnel across the network that seamlessly transfers serial data via TCP or UDP socket connections. The product complies with the European RoHS Directive 2002/95/EC.



SPECIFICATIONS

HARDWARE

Serial Connectors	(1) DB9 Male
Ethernet Ports	(1) 10/100 Base-T
Processor	ARM7 44Mhz
Memory	8MB RAM, 4MB
Flash	
Mounting	Panel/Rack, DIN Rail
Housing	Rugged Steel Construction

LED Indicators

Status, Ethernet, Link/Activity, Collision, 100MB Ethernet, RX/TX Per Port

ELECTRICAL SPECIFICATIONS

Device Requirements	200mA @ 5 VDC
Device Consumption	2.1 Watts
External Power Supply (Included Standard RTS)	
Input	90 to 132 VAC @ 60Hz
Output	420mA @ 5 VDC
Surge Protection	15KV

ENVIRONMENTAL SPECIFICATIONS

Operating Temperature*	-37 to +74°C
Storage Temperature	-40 to 85°C
Operating Humidity	5% to 95%
Altitude	0 to 10,000 Ft
Heat Output	7.16 BTU/Hr
Mean time between failures	48.4 Years

SERIAL COMMUNICATIONS

Software-Selectable	RS-232/422/485
Baud Rates	50 to 230 Kbps
Data Bits	7 or 8
Parity	Odd, Even, None
Stop Bits	1 or 2

NETWORK PROTOCOLS

Telnet, HTTP, SNMP, DHCP, RARP, ARP, BOOTP, Ping, supports IP multicast data transmission

DEVICE DRIVERS

Linux
 Microsoft® Windows® 7
 Microsoft® Windows® 2008 Server
 Microsoft® Windows® Vista
 Microsoft® Windows Server® 2003
 Microsoft® Windows® XP
 Microsoft® Windows NT® 4.0 (Legacy)
 Microsoft® Windows® 2000 (Legacy)

REGULATORY APPROVAL MARKS



EXPORT INFORMATION

Packaged Shipping Weight	1.97 lbs
Package Shipping Dimensions	9.18" x 2.5" x 7.25"
UPC Code	7-56727-99435-0
ECCN	5A992
Schedule B Number	8471.80.1000

REGULATORY STANDARDS

Immunity
 EN55024, EN61000-4-2, EN61000-4-3, EN61000-4-4, EN61000-4-5, EN61000-4-6, EN61000-4-8, EN61000-4-11, IEC 1000-4-2, IEC 1000-4-3, IEC 1000-4-4, IEC 1000-4-5, IEC 1000-4-6, IEC 1000-4-8, IEC 1000-4-11

Emission
 EN55022 & A1:2000 IEC 1000-3-2, IEC 1000-3-3, CISPR-22, ICES-003

Safety

EN60950, IEC 60950, CSA C22.2 No. 50/UL60950

Other

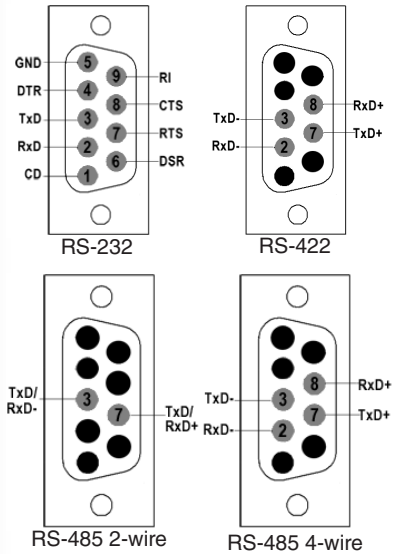
NEMA TS2 Compliant

FEATURES

Easy Set-up
 Software-Selectable Serial Port Interface
 PortVision Plus Remote Management Software
 Web-based Serial Port Configuration
 Watchdog Reset



RTS PIN ASSIGNMENTS



DEVICEMASTER RTS 1-PORT DIMENSIONS (IN INCHES)



Metric (L 9.27cm X W 7.32cm X H 2.26cm)

ORDERING INFORMATION

99435-0 DeviceMaster RTS 1-Port DB9 RoHS

PRODUCT SUPPORT & SERVICE INFORMATION

Warranty Information

Control offers a 30-day satisfaction guarantee and 5-year limited warranty.

Sales Support

+1.763.957.6000
 sales@control.com

Technical Support

+1.763.957.6000
 www.control.com/support

Email, FTP, and Web Support

info@control.com
 ftp.control.com
 www.control.com

*We have tested the products to run at these temperatures.