



HIGH TEMPERATURE & HIGH POWER COILS 40 mm OIL BURNER

These coils can be mounted with every Parker Solenoid Valves corresponding to the specified Coil Group. See column "Coil Group" within valve pages.

They can be mounted with all metal housings.

The coil winding is completely encapsulated in synthetic material.

Easy mounting in confined spaces. Electrical connection with screw terminals for wire up to 1.5 mm².

Coils conform to the IEC/CENELEC safety standards and complies with European low-voltage directive.

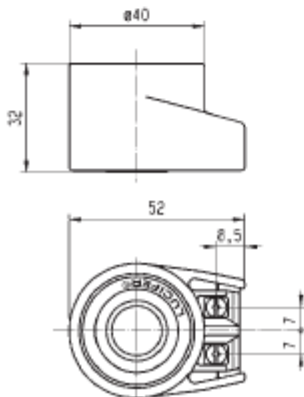
This coil range is used only in safety application according to DIN/EN/ISO 23551-1:2009-10 (Oil burners)



Specification		High Temperature & High power					
Reference		483824			483541		
Coil Group		14.1					
Class of insulation		H 180°C					
Ambient temperature		-40°C to +50°C The application is limited also by the temperature range of the valve.					
Elect. Power	DC	Pn (hot)	19 W			20 W	
		P (cold) 20°C	19 W			20 W	
	AC	Pn (holding)	19 W			20 W	
		Attraction cold	56 VA (20 W)			56 VA (20 W)	
Weight		130 g					
Voltages "Un"		VAC/Hz	Code	VAC/Hz	Code	VDC	Code
-10% to +10% of the Un		24/50	A2	24/50	A2	24	C2
		110/50-115/50	0A	110/50	A5	48	C4
		220/50-230/50	3D	230/50	F4		

To Order a Coil choose Coil Ref + Voltage Code, example: 483541 for 24VDC = **483541C2**
More voltage possibilities can be found in the table of voltage codes at the end of the coil section.

These coils must be used with suitable housings, Ref: 8760.24 and Ref: 8520.23



Ref. 8760.24



Ref. 8520.23