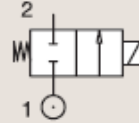


2/2

OIL BURNER VALVES DIRECT OPERATED

BRASS PIPE MOUNTING NORMALLY CLOSED

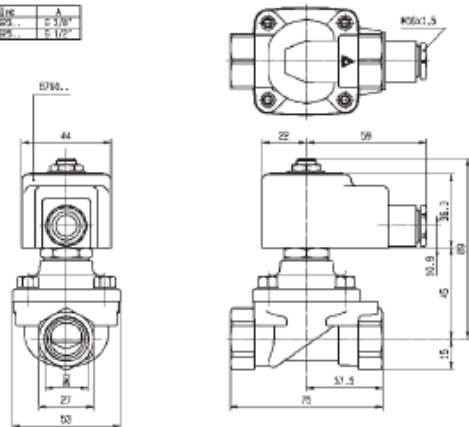


Port size	Orifice Ø	Flow factors			Operating Pressure Differential			Fluid Temp.		Seat Seal	Parker LUCIFER® Valves			Power		Coil Group	Dwg. No.
		Kv	KV	Qn	Min	Max(MOPD)	Min	Max	Valve Ref.		Housing Ref.	Coil Ref.	AC W	DC W			
BSP	mm	l/min	m³/h	l/min	bar	AC bar	DC bar	°C	°C								
1/8"	3	4	0.24	-	0	30	-	-30	160	Ruby	121K2423 ¹³	8520.23	483824	19	-	14.1	3292
	3	4.5	0.27	-	0	30	-	-30	160	Ruby	121K6423 ¹³	8520.23	483824	19	-	14.1	3292
1/4"	4	6.5	0.39	-	0	30	-	0	160	Ruby	121K6220 ¹³	8520.23	483541	20	-	14.1	3510
	6	12	0.72	0	0	5	-	0	120	Ruby	121K3321	2995	492425	14	14	14.1	3551
3/8"	11	22	1.32	-	0	30	-	0	160	FKM	121G2320 ¹²⁵	8520.23	483541	20	-	14.1	3646
	14	25	1.5	-	0	30	-	0	160	FKM	121G2520 ¹²⁵	8520.23	483541	20	-	14.1	3646
1/2"	14	25	1.5	-	0	30	-	0	160	FKM	121G2523 ¹²⁵	8520.23	483824	19	-	14.1	3646

Notes:

1. DIN-EN-ISO 23553-1 (2009-10) approved for oil burners
2. Max. Static pressure = 30 bar; max pressure differential = 0.2 bar
3. Valve only compatible with hydraulic oil and neutral liquids

Valve	A
1/8" BSP	2 3/8"
1/4" BSP	1 1/2"



Drawing 3646