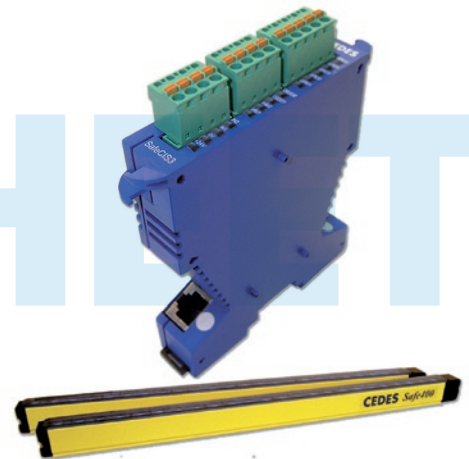


...versatile and extremely compact

DATASHEET



ISO 9001: 2000



Features

- Safety Controller for Safe4 and Safe400 safety light curtains and for the SB200 through beam sensor and other certified sensors
- Safety category 4 PL e according to EN ISO 13849-1 or SILCL 3 according to EN 62061
- Emergency stop or interlock switches monitoring
- Extremely fast safety light curtain response time
- Up to 3 relay extension modules
- Time delayed safety outputs configurable
- Simple connection with numbered terminal blocks
- Configurable through OptiLink
- Auto or manual start
- Start release or EDM
- Safety Prevention
- Muting

Technical Data

Main Module SafeCIS3

Electrical

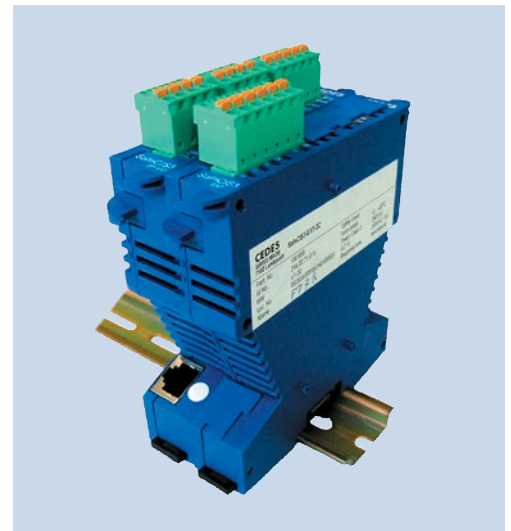
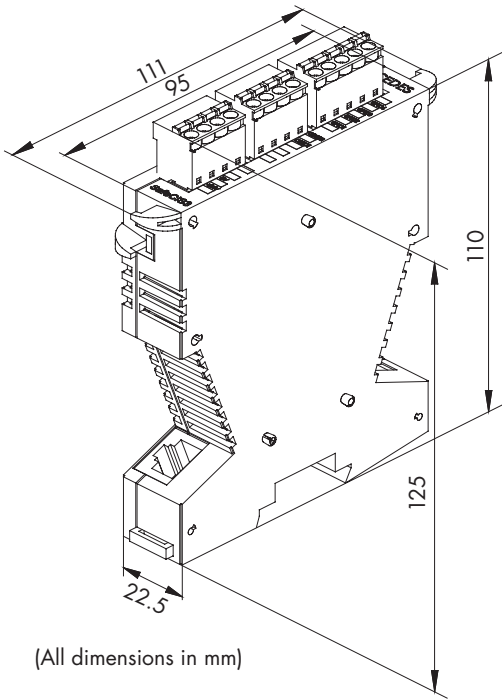
Supply voltage	+24 VDC \pm 15% @ 5% ripple
Current consumption	70 mA (max. 1.7 A)
Controller protection (external)	5 A slow
Outputs	2 PNP, 400 mA, short circuit protected
Response time	\geq 5 ms (depending on the configuration)
Min. off time	82 ms
Inrush current	max. 1 A / 30 ms

Mechanical

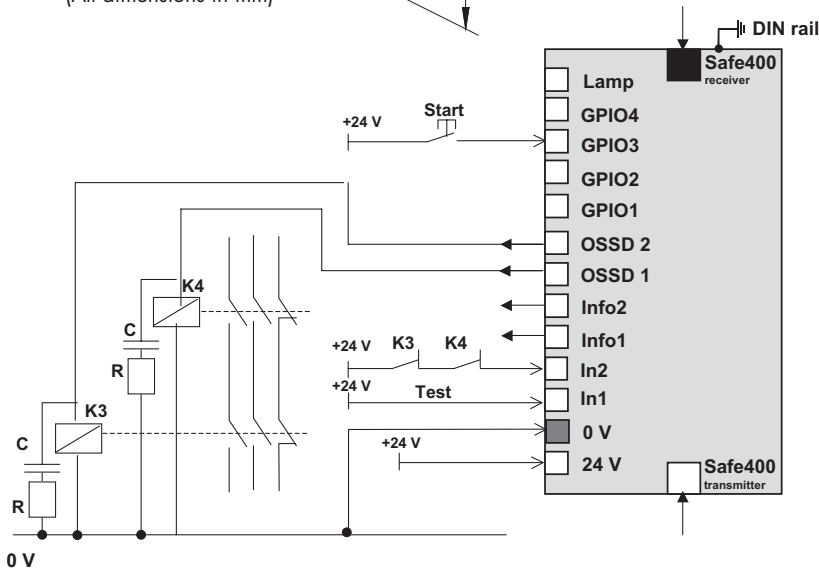
Dimensions (with plugs)	111 x 125 x 22.5 mm
Housing material	Polyamide
Installation position	No restrictions
Enclosure rating (housing)	IP20
Temperature range	Operation: 0 ... +55°C Storage: -25 ... +70°C
Relative humidity	15 ... 95%, non-condensing

General

Safety category	4 PL e acc. to EN ISO 13849-1 or SILCL 3 acc. to EN 62061
Certificates	CE, TÜV, UL
Interfaces	Optical (OptiLink)



SafeCIS3 with one extension module



One of four standard wiring possibilities



SafeCIS3 main module with the optical interface OptiLink

Ordering information

Controller

Part No.	Typ	Description
104 794	SafeCIS3-2P-4IO	Controller with 2 PNP outputs Included in delivery are controller and plug kit SafeCIS3 main module

Spare part

Part No.	Description
105 136	Plug kit SafeCIS3 main module

Special configurations on request