

# ICEROCK

## Infotainment Tablet PC

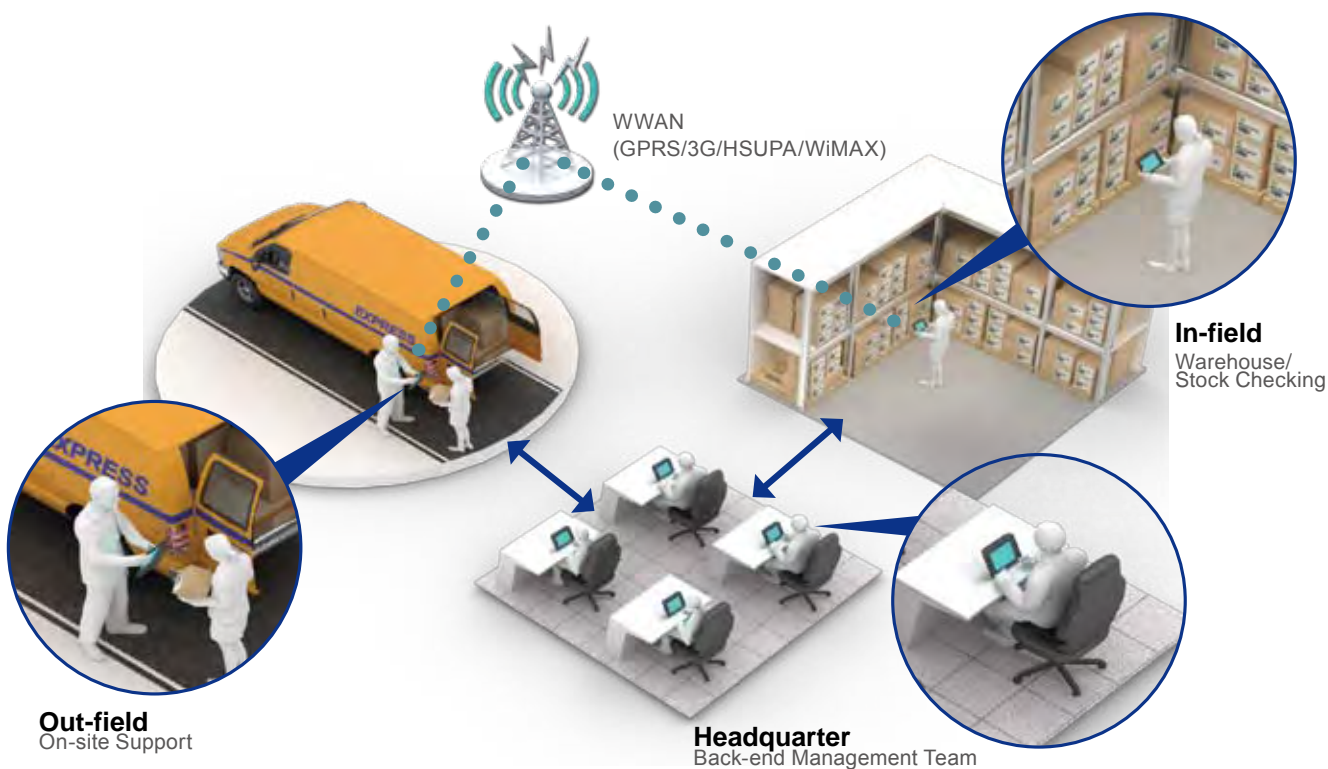
- 8" TFT XGA LCD
- Intel® Atom™ Z530 platform
- Powered by Windows® XP Embedded
- Bluetooth, Wi-Fi, 3.75G wireless



## Application

The ICEROCK is a semi-rugged and powerful tablet PC for indoor, outdoor and home automation applications. It can be applied across vertical markets that need a robust device for harsh work environments.

The ICEROCK utilizes the power of Intel® Z530 processors, integrated Wi-Fi 802.11 b/g/n, bluetooth and enhanced Gobi™ 2000 mobile broadband for out-field users.



# Easy to Use

## Ambient Light Sensor

Automatically adjusts the brightness of the screen for optimum visibility and energy efficiency.



## 1.3 Megapixel Camera and Microphone

Built-in 1.3 megapixel video intercom device allows for real-time communication. The webcam works in low light situations.



## 8 Function Keys

F1~F8 function keys help to simplify frequently used applications with the pressing of a single shortcut key. The Function Keys can be programmed with a ODM case.

Key	Functions
Fn+F1	Sleep
Fn+F2	Volume ON/OFF
Fn+F3	Volume Up
Fn+F4	Volume Down
Fn+F5	Auto Dimming
Fn+F6	Brightness Up
Fn+F7	Brightness Down
Fn+F8	LCD ON/OFF



Key	Description
SAS(Fn)	Secure Attention Sequence (Alt+Ctrl+Del)

Key	Functions
Arrow Up	Up
Arrow Down	Down
Arrow Right	Right
Arrow Left	Left
Enter Key	Enter
Fn+Arrow Up	Page Up
Fn+Arrow Down	Page Down
Fn+Arrow Right	End
Fn+Arrow Left	Home

## LED Indicator

Indicator	Description
Indicator 1	AC POWER IN/BATTERY ON (Only Battery with AC Power) Battery mode: Red LED On Battery mode and low power: Red LED Flash (Battery and AC Power in) Battery charge mode: Green LED Flash Battery charge mode and full Battery: Green LED on
Indicator 2	Wireless/Bluetooth Enable: LED on; Disable: LED off
Indicator 3	HD Enable: LED on; Disable: LED off
Indicator 4	3.75G Enable: LED on; Disable: LED off

## Rotate with G-Sensor

Automatically toggles between portrait and landscape display mode providing the most comfortable viewing experience.



## G-sensor Setting

Disabled by default, the G-sensor can be set-up in BIOS.

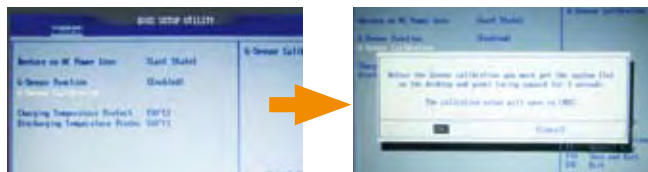
Use the function key to select BIOS SET UP. Pressing F4 will take you back to the previous menu.

The automatic screen rotation sensitivity can be enhanced by enabling G-sensor with a ODM provided software.



## After Enabling the G-sensor Function

1. Please make sure to install the Graphics Driver before adjustment
2. Enable G-sensor in BIOS
3. Calibration will appear after enabling the G-sensor.
4. ICEROCK has to be laid down on a flat surface.
5. Press Enter to complete G-Sensor Calibration



# Reliable

## IP62 Compliant Front Panel Protection

Provides protection against damage caused by accidental spills and dust.

## One Key Recovery

IEI's useful One Key Recovery solution includes exclusive technology to backup and recover your operating system with just one simple click when your computer faces the following situations:

- Severe virus attack
- Operating system crash
- Natural or man-made disasters



IEI Recovery Kit

# Powerful

## High graphic performance supports H.264, MPEG1/2/4, VC-1/WMV9 high definition decoding

The ICEROCK is powered by an Intel® Atom™ Z530P with full hardware acceleration which eliminates the need for software decoding and the risk of overloading the processor. With low CPU resource utilization, the ICEROCK is optimized for multitasking.



# Mobile

## 802.11-b/g/n Wireless LAN

Integrated PIFA antenna on the ICEROCK ensures an uninterrupted wireless connection and provides up to IEEE 802.11n wide bandwidth operation. Frees cables and clutter from your workspace.



## Bluetooth V3.0+HS CLASS II

A preinstalled Bluetooth module communicates with a wide range of electronic devices from PDAs and cellphones to barcode readers. Transmission performance is greater than 20m in free space.



## 3.75G HSUPA

### Mobile 3.75G Connection

Free Wi-Fi hotspots will only get you so far. Stay connected while you're on the move with a mobile broadband internet connection over 3G mobile phone network.

#### Supported Bands

- \*HSUPA/UMTS –800/850/900/1900/2100 MHz
- \*Quad-band EDGE/GPRS/GSM –850/900/1800/1900 MHz
- \*Dual-band EV-DO/CDMA



Warehouse Management



Multimedia Control Center



Construction Site

# Communication Application

## 1. Remote Control and Surveillance Management

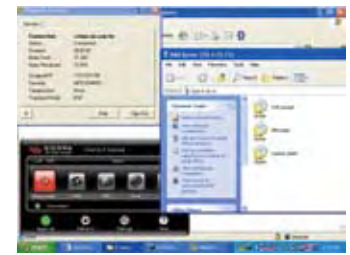


ICEROCK can control or monitor factory, office and other places through LAN & mini USB & 3.75G & Wi-Fi with VNC software.

## 2. Remote Login

User can remotely login via LAN , 3.75G and Wi-Fi such as VPN

Example : use 3.75G log NAS server



## 3. Wireless Communication

Use communication software such as SameTime or Skype via LAN & 3.75G & Wi-Fi and Bluetooth earphone



## 4. Ordering System

ICEROCK can be set up as a POS station when used together with a handheld order terminal such as MODAT-200. It can also be displayed in the kitchen or connected to a Bluetooth printer to print out receipts.

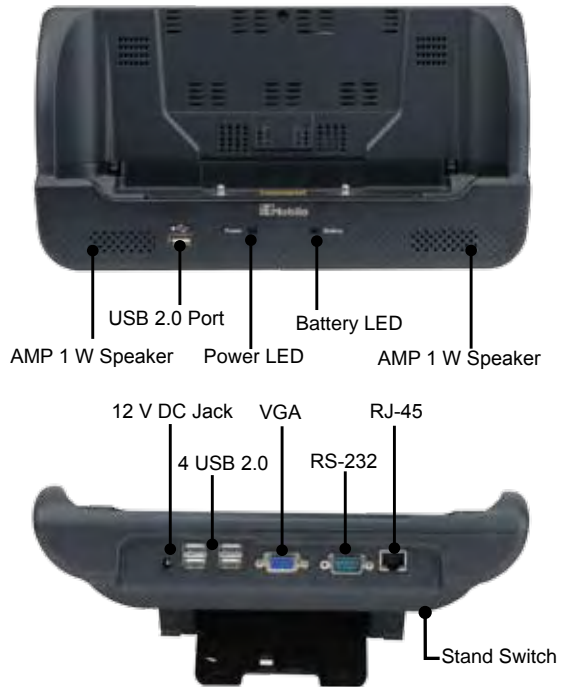


# Diverse Installation Methods

Desktop with Docking Station



Docking Station (Optional)  
ICEROCKDS-08A-R10



Wall Mount with Docking Station



## Wall Mounting Options

VESA Stand



Built-in Stand



## Docking Provides Second Display Connection

The Docking Station provides a VGA out connectors that connect the ICEROCK to a second, larger display such as a projector, TV or monitor.



# Expandable

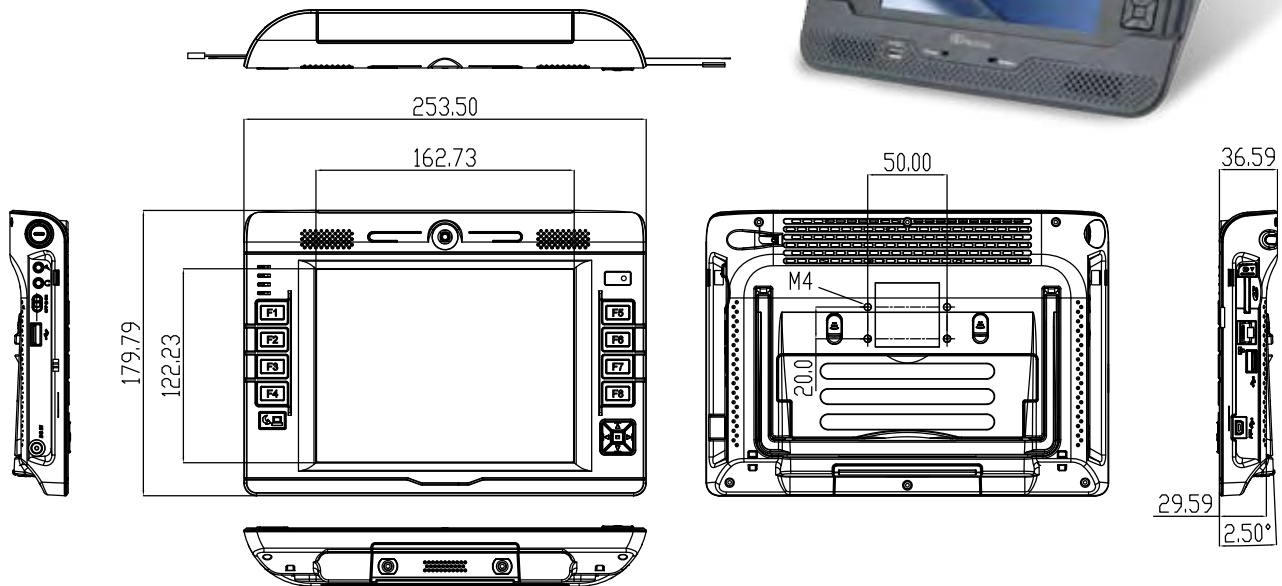


## Specifications

Model	ICEROCK	
Display	LCD Size	8.0" TFT LCD
	Brightness (cd/m <sup>2</sup> )	250 cd/m <sup>2</sup>
	Max Resolution	800 x 600 pixels SVGA
	Viewing Angle	70/70/60/70 Deg.
	Touch Screen	5-Wire Resistive Type Touch
System	CPU	Intel®Atom™ Z530 1.6 GHZ
	Chipset	Intel® SCH US15WP
	Operating System	Microsoft® Windows® XP Embedded
	Memory	1GB DDR2 SDRAM 533 MHz On-Board
	Storage	CompactFlash® slot SD card slot
Communication	Wireless LAN	Wi-Fi® 802.11b/g/n
	Bluetooth	Bluetooth® V3.0 + HS (Class 2)
	Modem	WCDMA/HSUPA Optional
Data Collection	Camera	1.3 Megapixels
Indicator & Buttons	IRDA	IR For Remote Control and Ambient Light Sensor
	LED Indicator	Power/ Wi-Fi®/Bluetooth®/HDD/ 3.75G Status LED
I/O Interface	Keys	5-way Navigation Key 8 X Programmable Function Keys
	USB	2 x USB 2.0 1 x Mini USB Client
	LAN	1 x 10/100/1000 Mbps GbE RJ-45
	Audio	2 x 1.5 W Speaker 1 x Mic-in
Power	Power Adapter	12 V @ 3 A @36 W
	Battery	7.4 V 2400 mAh Li-ion Battery
Environment	Operating Temperature	0°C to +40°C
	Storage Temperature	-20°C to +60°C
	Humidity	5%~95% Non-Condensing
	Drop Survival	1.0 M
	Environmental Protection	Front Panel IP62 Compliant
	Certification	CE/FCC/UL
Physical Characteristics	Dimensions (LxWxH) (mm)	255 x 180 x 37
	Weight	1170 g

# ICEROCK

Dimensions (Unit: mm)



## Ordering Information

Part No.	Description
ICEROCK-08A-Z530/WT-R/1G-R10	8.0" TFT-LCD 250cd/m <sup>2</sup> SVGA Mobile Panel PC with Intel® Atom™ Z530P 1.6 GHz CPU, 1 GB SDRAM, 802.11 b/g/n Wireless, Bluetooth®, Touch Screen, 1.3 Megapixels Camera, RoHs
ICEROCK-08A-Z530/WT-R/1G/HU02-R10	8.0" TFT-LCD 250cd/m <sup>2</sup> SVGA Mobile Panel PC with Intel® Atom™ Z530P 1.6 GHz CPU, 1 GB SDRAM, 802.11 b/g/n Wireless, Bluetooth®, Touch Screen, 1.3 Megapixels Camera, with 3.75 G Module, RoHs

## Packing List

Item	Part No.	Q'ty
Battery Pack	31603-000011-RS	1
Power Adapter	63000-FSP036RAB608-RS	1
Power Cord	32702-000300-100-RS	1
Stylus	7Z000-6051D0320101-RS	1
IR Remote Control	7Z000-8T003221CP07G-RS	1
Plastic Protective Shell	47003-007600-00-RS	1
User Manual CD ROM	IEI-7B000-000542-RS	1
IEI One Key Recovery CD	IEI-7B000-000478-RS	1

## Optional Accessory List

Item	Part No.	Description
Docking Station	ICEROCKDS-08A-R10	Docking station with VGA, 5 x USB 2.0, RJ-45, and RS-232 ports for ICEROCK-08A series
Battery Pack	31603-000011-RS	Lithium ion battery 2S2P, 7.4V, 2400mAh for ICEROCK-08A series
Leather Carrying Case	ICEROCKCB-00-R10	Black, Leather carrying case in black color for ICEROCK-08A series
OS Windows® XP Embedded	ICEROCKCF-08-XPE-R10	1 GB Compact Flash with Windows® XPE OS image and license



Stylus



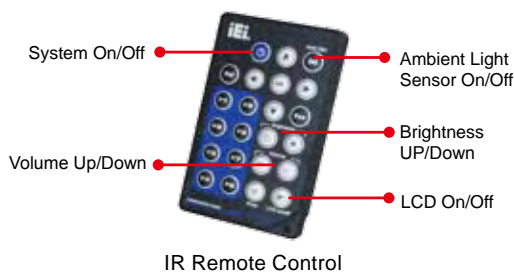
Battery Pack



Power Adapter



Plastic Protective Shell



IR Remote Control



Docking Station



Leather Carrying Case