



Main Features

- 8" SVGA TFT LCD Monitor
- Automatic/ Manual brightness control
- Wide range DC input from 6~36V
- Direct VGA input interface
- Support USB 2.0 and card reader
- Camera sensor on front panel (Optional)
- Sunlight readable solution with 1000cd/m² high brightness support
- Front panel compliant with IP54

Product Overview

VMD 2001 is an 8-inch TFT LCD monitor with 4 wire resistant touch screen sensor. With the high brightness display and automatically brightness control, it is designed for in-vehicle applications. In support of standard VGA interface, it can be configured to link to the most of vehicle computers. It also provides USB and card reader features, and reserves camera sensor as an option. Those friendly interfaces benefit the technicians during maintenances. Its front panel is compliant to IP54, and wide range power input and operating temperature to meet with industrial applications.

Specifications

LCD Panel

- 8-inch TFT LCD panel with LED backlight
- 800 x 600 pixels (SVGA)
- Brightness: 500 cd/m² (typical)
- Contrast ratio: 500:1 (typical)

Touch Screen Sensor

- 4-wire resistant touch
- Anti-glare coating surface
- Transmission rate: 82 ± 3%

Front Panel

- Control buttons x 5
 - Power on/off
 - Volume control (+/-)
 - Brightness control (+/-)
- Light sensor
- LED indicators x 2
- Built-in speakers (1W)x 2

Rear Side I/O

- 1 x VGA
- 1 x Line-in
- 1 x Line-out (automatic detection/ switch to external speaker)
- 1 x USB type A for Storage
- 1 x USB type B for touch screen and USB hub
- 1 x SD/MMC/MS card reader
- 6~36V wide range DC power input

Optional Features

- 2.0M pixels CCD camera on front panel
- Sunlight-Readable Display with High Brightness LCD (1000 cd/m²)
- Support VESA mount kit

Dimensions

- 207mm (W) x 173mm (H) x 36.7mm (D)
- 0.7 Kg (1.54 Lb)

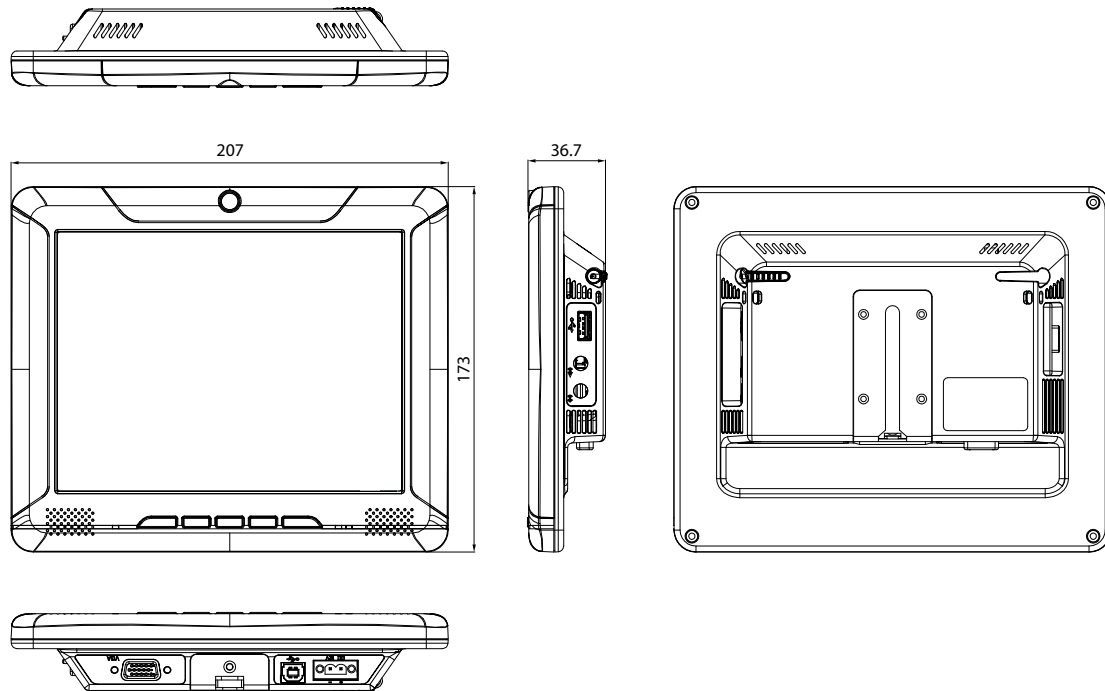
Environment

- Operating temperature: -20°C to 60°C
- Storage temperature: -30°C to 70°C

Certifications

- CE approval
- FCC Class B

Dimension Drawing



Ordering Information

- **VMD 2001 (P/N: 10VD0200100X0)**
8" SVGA vehicle mount display with touch screen and VGA interface
- **VMD 2001-BS (P/N: TBD)**
8" SVGA vehicle mount display with touch screen, VGA and sunlight readable
- **VMD 2001-P (P/N: TBD)**
8" SVGA vehicle mount display with touch screen, VGA and CCD camera
- **VMD 2001-PS (P/N: TBD)**
8" SVGA vehicle mount display with touch screen, VGA, CCD camera and sunlight readable
- **Bundle Accessories**
VGA cable (1.5M)
USB cable (1.5M)
Audio cable
Cable fastener
CD-ROM x 1