



### Main Features

- 7" WVGA TFT LCD monitor
- Automatic/ manual brightness control
- Wide range DC input from 6~36V
- Direct VGA input interface
- Support USB 2.0 and card reader
- Camera sensor on front panel (Optional)
- Optional sunlight readable touch support
- Front panel compliant with IP54

### Product Overview

VMD 1001 is a 7-inch TFT LCD monitor with 4 wire resistant touch screen sensor. With the high brightness display and automatically brightness control, it is designed for in-vehicle application. In support of standard VGA interface, it can be configured to link to the most of vehicle computers. It also provides USB and card reader features, and reserves camera sensor as an option. Those friendly interfaces benefit the technicians during maintenances. Its front panel is compliant to IP54, and wide range power input and operating temperature to meet with industrial application.

### Specifications

#### LCD Panel

- 7-inch TFT LCD panel with LED backlight
- 800 x 480 pixels (WVGA)
- Brightness: 500 cd/m<sup>2</sup> (typical)
- Contrast ratio: 600:1 (typical)

#### Touch Screen Sensor

- 4-wire resistant touch
- Anti-glare coatingsurface
- Transmission rate: 82 ± 3%

#### Front Panel

- On screen display buttons x 5
  - Power on/off
  - Volume control (+/-)
  - Brightness control (+/-)
- Light sensor
- LED indicators x 2
- Built-in speakers (1W) x 2

#### Rear Side I/O

- 1 x VGA
- 1 x Line-in
- 1 x Line-out (automatic detection/ switch to external speaker)
- 2 x USB
- 1 X SD/ MMC/ MS card reader
- 6~36V wide range DC power input

#### Optional Features

- 2.0M pixels CCD camera on front panel
- Sunlight-readable touch screen (4 wires resistive w/ anti-glare coating)
- Support VESA mount kit

#### Dimensions

- 182mm (W) x 138mm (H) x 36.3mm (D)
- 0.45 Kg (0.99 Lb)

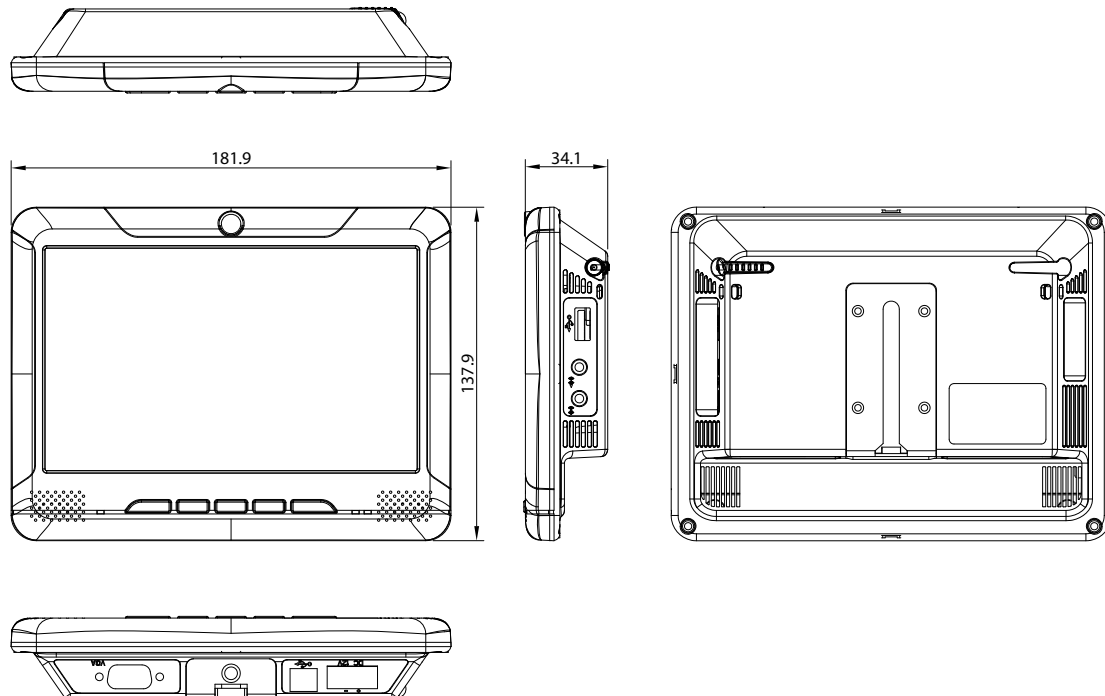
#### Environment

- Operating temperature: -20°C to 70°C
- Storage temperature: -30°C to 80°C

#### Certifications

- CE approval
- FCC Class B

## Dimension Drawing



## Ordering Information

- **VMD 1001 (P/N: 10VD0100101X0)**  
7" WVGA vehicle mount display with touch screen and VGA interface
- **VMD 1001-BS (P/N: TBD)**  
7" WVGA vehicle mount display with touch screen, VGA and sunlight readable
- **VMD 1001-P (P/N: TBD)**  
7" WVGA vehicle mount display with touch screen, VGA and CCD camera
- **VMD 1001-PS (P/N: TBD)**  
7" WVGA vehicle mount display with touch screen, VGA, CCD camera and sunlight readable
- **Bundle Accessories**  
VGA cable (1.5M)  
USB cable (1.5M)  
Metal stand kit  
Cable fastener  
CD-ROM x 1