



Main Features

- ♦ Wide Range Voltage Support from 9~36V for Vehicle Application
- ♦ Support USB 2.0 x 2, COM x 1, and Ethernet LAN 10/ 100
- ♦ IP67 Water Proof I/O Connectors Cover Tough Environment Application
- ♦ Support VESA Mount for Variety Installation

* Note: This photo is for illustration only. The dock does NOT contain the terminal and RAM mount kit.

Specifications

I/O Ports

- ♦ 2 x USB 2.0 (IP67 & lockable connector)
- ♦ 1 x RS232
- ♦ 1 x LAN 10/100 base-T port (IP67 & lockable connector)
- ♦ 1 x internal mini card socket
- ♦ DC-in 9-36V power input (IP67 & lockable connector)
- ♦ 32-pin PoGo connector
- ♦ 2 x antenna hole (Reserved for SMA type connectors)

LED Indicators and Switch

- ♦ 5 LED indicators for power, LAN connection, LAN access, WLAN, and Lock
- ♦ Two switch to lock/ unlock the system to dock

Mounting Hole

- ♦ RAM-202 bases with C size (1.5" diameter) ball, standing up to 4.5 kgs.
- ♦ VESA 75 (75mm x 75mm)

Dimensions

- ♦ 296mm x 268mm x 109mm
- ♦ Weight: 2.5Kg

Enclosure

- ♦ Plastic (ABS+PC)
- ♦ Aluminum Alloy (ADC-12)

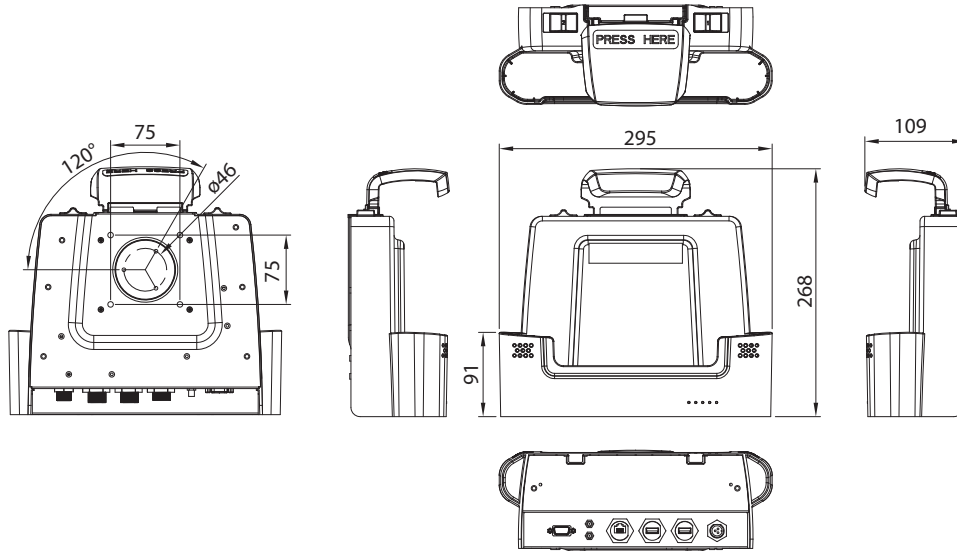
Environment

- ♦ Operating temperature: -20°C to 50°C
- ♦ Relative humidity: 5% to 95% (non-condensing)

Certifications

- ♦ CE approval
- ♦ FCC Class B

Dimension Drawing



Ordering Information

- **MTK-DOCK-01 (P/N: 10UK0DOCK00X0)**
Vehicle Docking Station with USB/ RS232/ LAN/ Mini Card/ Expansion I/O (RAM/ VESA Mount and Tablet PC need to purchased separately)

IP 67 RJ45 Plug (Ass'y Type) (P/N: 5060900156X00)

IP 67 USB Plug (1M Cable) (P/N: 60233USB72X00)