

MRC 2100-E

8.4" Rugged Tablet PC with Intel® Atom™ Processor/
Daylight Readable Display/ Touch Screen/ Wi-Fi/ Bluetooth/ GPS



Main Features

- Fanless Design with Low Power Consumption Processor
- Daylight Readable Display with Auto Dimming
- Dust and Water Protection for IP54 compliance
- Integrated GPS module
- Built-in 1D/ 2D Laser Barcode Scanner or RFID (Optional)
- Compliant with MIL-STD-810F
- Variety Wireless Connectivity (Bluetooth/ WLAN/ WWAN)

Product Overview

The MRC 2100-E, an 8.4" semi-rugged tablet PC, provides a daylight readable display and built-in GPS receiver. The display with low reflection touch increases its readability during the daylight. With along GPS receiver and optional 3.5G WWAN module built-in together, the MRC-2100 extremely fit for the outdoor application. The system can also be utilized in fleet management and logistical management via variety vehicle mount.

Specifications

CPU Support

- Intel® Atom™ processor 1.1GHz/ 1.6GHz with 512 KB on-die L2 cache, 400MHz/533MHz FSB

Chipset

- Intel® System Controller Hub US15W (single chip integrated graphics and I/O controller)

Memory

- 1GB DDR2 SODIMM 667MHz, support up to 2GB (optional)

Storage

- 8GB Solid State Drive/ SATA interface, up to 64GB (optional)

Audio

- ALC888-VC2-GR HD Codec
- AC '97 Compatible
- 2 x 2w built-in speaker
- 1 x external Mic-in and 1 x external Line-out

Display

- 8.4" TFT LCD with CCFL backlight
Resolution: 800 x 600 (SVGA)
Luminance: 400 nits
Contrast Ratio: 500:1
- Touch Screen: Analog Resistive 4 wire daylight readable touch screen
- Auto dimming via ambient light sensor

I/O

- 2 x External USB 2.0 port; 1 x Mini USB (Client)
- 1 x Mic-in and 1 x Line-out
- 1 x 19V DC power input

Communication

- Bluetooth Module class 2 V 2.1 + EDR
- IEEE 802.11 b/ g/ n Wi-Fi Module with built-in antenna
- WWAN module support of GSM/ GPRS/ HSDPA/ WCDMA (optional)

Data Capture

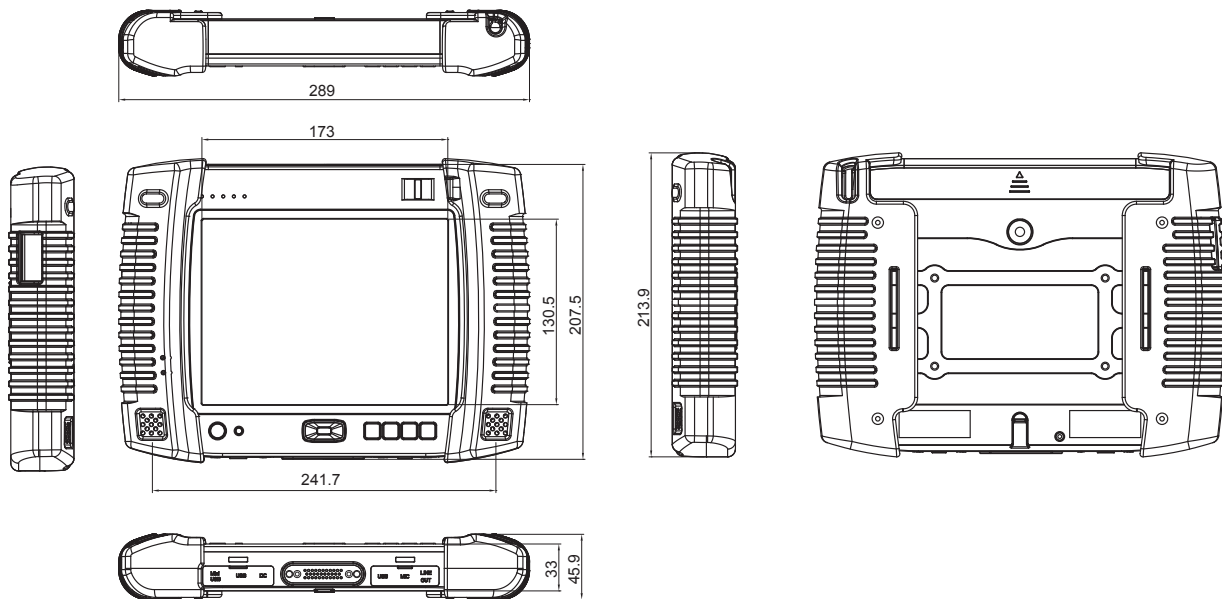
- GPS receiver with built-in internal antenna
- 2M pixel CMOS camera
- HF RFID reader compliant with ISO14443A/B and ISO 15693 (optional)
- 1D/ 2D laser barcode engine (optional)
- Fingerprint Sensor

Indicators and Buttons

- Four LED indicator - Power on/ off, Battery, WLAN and HDD
- Four Programmable Function Keys
- Five Buttons – navigation key, power button, wireless switch button, camera shot button and barcode scanner button



Dimension Drawing



Power Input

- Power Input Voltage: DC 19V/ 3.42A
- Power Output: 65W (Max)
- Rechargeable Lithium Ion Smart Battery Pack: 2600 mAh@11.1V, 28.86W

Dimensions

- 289mm (W) x 214mm (H) x 46mm (D) with Rubber
- 280mm (W) x 205mm (H) x 37mm (D) without Rubber
- Weight: 1.65Kg with Rubber; 1.35Kg without Rubber

Enclosure

- Plastic housing (ABS + PC)
- Color: Black

Environment

- Operating Temp: -20°C to 50°C
- Storage Temp: -30°C to 60°C
- Rel. Humidity: 5% to 95%

Rugged Grade

- IP54
- 4 feet drop to polywood
- Compliant with MIL-STD-810F

Certifications

- CE approval
- FCC Class B

Ordering Information

- **MRC 2100-E51H (P/N: 10U00210007X0)**
8.4" Rugged Tablet PC with Intel® Atom™ 1.1GHz Processor/ 60GB HDD/ 1GB Memory/ Daylight Readable Touch Screen/ GPS/ Wi-Fi/ Bluetooth
- **MRC 2100-E51S8 (P/N: 10U00210008X0)**
8.4" Rugged Tablet PC with Intel® Atom™ 1.1GHz Processor/ 8GB SSD/ 1GB Memory/ Daylight Readable Touch Screen/ GPS/ Wi-Fi/ Bluetooth

- **MRC 2100-E53S8 (P/N: 10U00210009X0)**

8.4" Rugged Tablet PC with Intel® Atom™ 1.6GHz Processor/ 8GB SSD/ 1GB Memory/ Daylight Readable Touch Screen/ GPS/ Wi-Fi/ Bluetooth

- **Optional Features for MRC 2100-E**

1D Laser Barcode Scanner-Opticon (P/N: 88U00210004X0)
2D Laser Barcode Scanner-Opticon (P/N: 88U00210010X0)
HF RFID Reader 13.56MHz (P/N: 88U00210003X0)
WWAN Module with internal antenna: Sierra MC8790V (P/N: 88U00210006X0)
Windows XP Pro for Embedded Software Kit (P/N: 88U00210008X0)
Windows XP Embedded Software Kit (P/N: 88U00210009X0)
Windows Embedded Standard 2009 Software Kit (P/N: 88U00200001X0)

- **Optional Accessories for MRC 2100-E**

Vehicle Docking Station (P/N: 10UK0DOCK00X0)
Desktop Docking Station (P/N: 10UK0DOCK02X0)
Holding Bracket (P/N: 50501A0325X00)
4 slots Battery Charger (P/N: 10UK0BATT00X0)
Carry Case (P/N: 6019900015X00)
Spare Battery Pack (3S1P) (P/N: 4ZTSS26301X00)
Vehicle Cigarette Adaptor Charger (P/N: 7400065007X00)
USB to VGA Adaptor (P/N: 7500VGA004X00)
USB to Giga LAN Adaptor (P/N: 7500LAN005X00)
Power Cable (US) (P/N: 60233POW38X00)
Power Cable (EU) (P/N: 60233POW39X00)
Power Cable (UK) (P/N: 60233POW40X00)