



Main Features

- Fanless Design with Low Power Consumption Processor
- Automatic Backlight Adjustment via Light Sensor
- Built-in 1D/ 2D Laser Barcode Scanner or RFID (Optional)
- Variety Wireless Connectivity (Bluetooth/ WLAN/ WWAN)
- Rugged Design to withstand Shock and vibration
- Compliant with MIL-STD-810F
- Dust and Water Protection for IP54 compliance

Product Overview

The MRC 2000-E is an 8.4" semi-rugged tablet PC with low power consumption processor. Its fanless design with IP54 rating sustains the system more durable in harsh environment. The system with built-in camera and optional to equip with RFID reader and barcode engine is suitable to apply in the service field such as warehouse management and factory process management. With these data capture features, it can assist in improving the efficiency to increase productivity.

Specifications

CPU Support

- Intel® Atom™ processor 1.1 GHz with 512 KB on-die L2 cache, 400MHz/ 533MHz FSB

Chipset

- Intel® System Controller Hub US15W
(single chip integrated graphics and I/O controller)

Memory

- 1GB DDR2 SODIMM 667Mhz support up to 2GB (optional)

Storage

- 8GB Solid State Drive/ SATA interface, up to 64GB (optional)

Audio

- ALC888-VC2-GR HD Codec
- AC '97 Compatible
- 2 x 2w built-in speaker
- 1 x external Mic-in and 1 x external Line-out

Display

- 8.4" transmissive TFT LCD with CCFL backlight support 800 x 600 SVGA or 1024 x 768 resolution via driver (virtual mode)
Resolution: 800 x 600 (SVGA)
Luminance: 400 nits
Contrast Ratio: 500:1
- Touch Screen: Analog Resistive 4 wire touch screen
- Auto dimming via ambient light sensor

I/O

- 2 x USB 2.0 port; 1 x Mini USB (client)
- 1 x Finger Printer Sensor
- 1 x Mic-in and 1x Line-out
- 1 x 19V DC power input

Communication

- IEEE 802.11 b/ g/ n Wi-Fi module with built-in antenna
- Bluetooth module class 2 v2.1 + EDR (optional)
- WWAN support of GSM/ GPRS/ HSDPA/ WCDMA (optional)

Data Capture

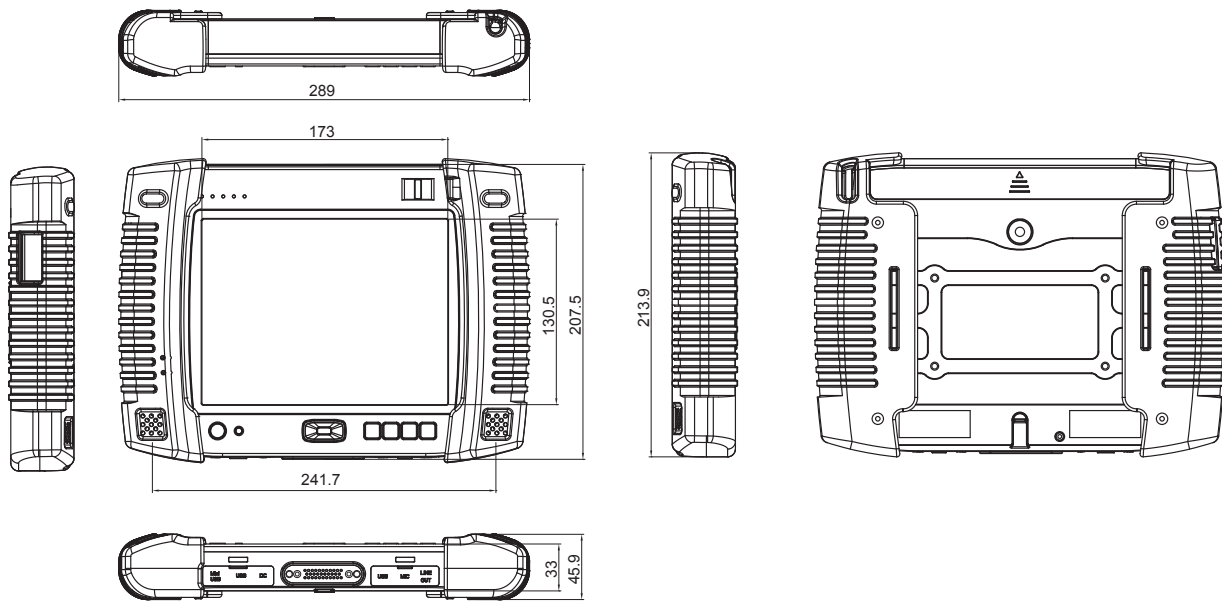
- GPS receiver with built-in internal antenna (optional)
- 2M pixel CMOS camera
- HF RFID reader compliant with ISO14443A/ B and ISO 15693 (optional)
- 1D/ 2D laser barcode engine (optional)
- Fingerprint Sensor

Indicators and Buttons

- Four LED indicator - Power on/ off, Battery, WLAN and HDD
- Four Programmable Function Keys
- Five Buttons – navigation key, power button, wireless switch button, camera shot button and barcode scanner button



Dimension Drawing



Power Input

- Power Input Voltage: DC 19V/3.42A
- Power Output: 65W (Max)
- Rechargeable Lithium Ion Smart Battery Pack: 2600 mAh@11.1V, 28.86W

Dimensions

- 289mm (W) x 214mm (H) x 46mm (D) with Rubber
- 280mm (W) x 205mm (H) x 37mm (D) without Rubber
- Weight: 1.65Kg with Rubber; 1.35Kg without Rubber

Enclosure

- Plastic housing (ABS + PC)
- Color: Black

Environment

- Operating Temp: -20°C to 50°C
- Storage Temp: -30°C to 60°C
- Rel. Humidity: 5% to 95%

Rugged Grade

- IP 54
- 4-feet drop to polywood
- compliance with MIL-STD-810F

Certifications

- CE approval
- FCC Class B

Ordering Information

♦ MRC 2000-E (P/N: 10U00200001X0)

8.4" Fanless Rugged Tablet PC with Intel® Atom™ 1.1GHz Processor/ 8GB SSD/ 1GB Memory/ Touch Screen/ Wi-Fi

♦ Optional Features for MRC 2000-E

1D Laser Barcode Scanner-Opticon (P/N: 88U00210004X0)

2D Laser Barcode Scanner-Opticon (P/N: 88U00210010X0)

HF RFID Reader 13.56MHz (P/N: 88U00210003X0)

WWAN Module with internal antenna: Sierra MC8790V (P/N: 88U00210006X0)

Bluetooth Pack w/ Antenna (P/N: 88U00210007X0)

GPS Pack w/ Antenna (P/N: 88U00200000X0)

Windows XP Pro for Embedded Software Kit (P/N: 88U00210008X0)

Windows XP Embedded Software Kit (P/N: 88U00210009X0)

Windows Embedded Standard 2009 Software Kit (P/N: 88U00200001X0)

♦ Optional Accessories for MRC 2000-E

Vehicle Docking Station (P/N: 10UK0DOCK00X0)

Desktop Docking Station (P/N: 10UK0DOCK02X0)

Holding Bracket (P/N: 50501A0325X00)

4 Slots Battery Charger (P/N: 10UK0BATT00X0)

Carry Case (P/N: 6019900015X00)

Spare Battery Pack (3S1P) (P/N: 4ZTSS26301X00)

Vehicle Cigarette Adaptor Charger (P/N: 7400065007X00)

USB to VGA Adaptor (P/N: 7500VGA004X00)

USB to Giga LAN Adaptor (P/N: 7500LAN005X00)

Power Cable (US) (P/N: 60233POW38X00)

Power Cable (EU) (P/N: 60233POW39X00)

Power Cable (UK) (P/N: 60233POW40X00)