

Safety simply mirrored



Safety Mirror60 & Mounting Column

Deflective safety mirror and mounting column for the Safe2+ / Safe4 safety light curtain



ISO 9001: 2000

Description

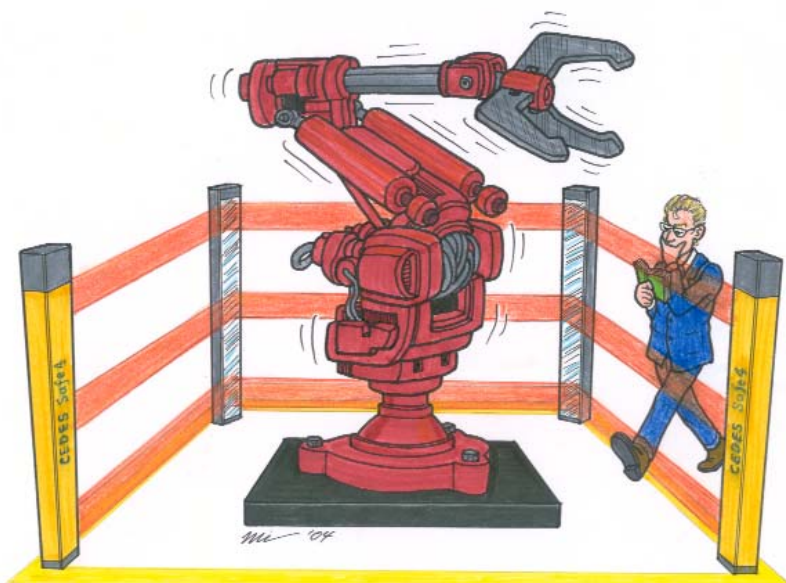
The CEDES Safety Mirror60 is made up of a high quality mirror, inset in a robust aluminum continuous profile. The mirror allows an efficient and economical safe-guard of danger zones. With the integration of the patented Intelligent Laser Alignment System (ILAS), the alignment of the safety light curtains may be easily carried out within minutes even over large distances.

The use of the CEDES Safety Mirror60 results in a significant cost saving in most applications. Through the use of this mirror one safety light curtain system can simultaneously safe-guard numerous zones. Thus the acquisition cost of multiple light curtains and safety relays, along with the complexity of mounting and cabling are substantially reduced.

Features

- Simple mounting and alignment
- Extremely solid construction
- Superior reflective performance
- Large operating ranges possible
- Number of system components as well as total system cost are massively reduced

Application example



Technical Data

Profile dimensions:

- Width	60 mm
- Depth	60 mm
- Length	1'316 mm
Mirror height	1'050 mm

Mirror holder	Glass
Mirror surface	Rear surface mirror with passivated aluminum

Operating range	
- Resoulution 14 mm	7.2 m
- Resoulution 30 mm	14.4 m
	(with one mirror)

Loss in operating range	20 % (per mirror)
-------------------------	-------------------

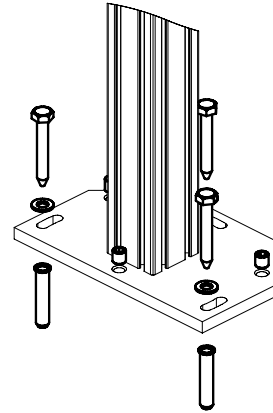
Reflectivity	80 %
Temperature range	0 ... +55°C

Safety Mirror60 and Mounting Column

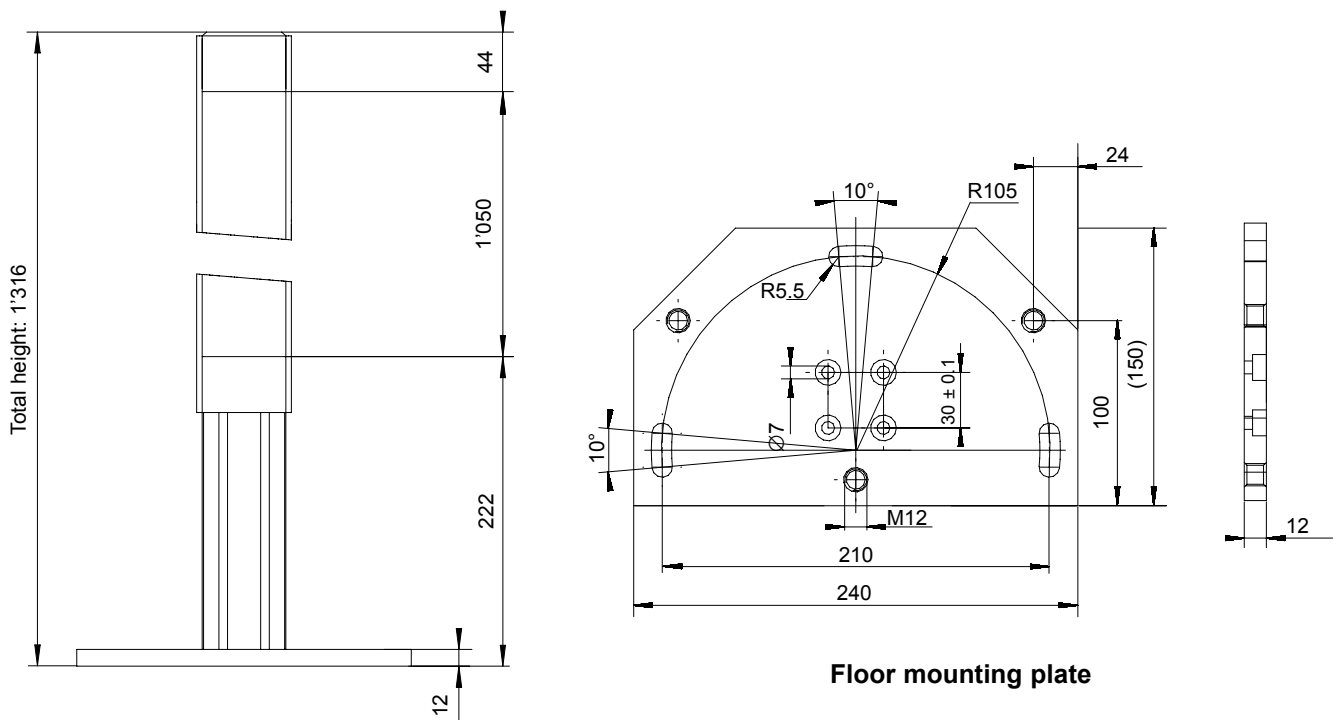
Maximum operating range

Number of mirrors	Operating range Safe2+ / Safe4 resolution 14 mm [m]	Operating range Safe2+ / Safe4 resolution 30 mm [m] (optional)
0	9	18 (30)
1	7.2	14.4 (24)
2	5.7	11.5 (19.2)
3	4.6	9.2 (15.4)

Mounting plate



Technical drawings (all dimensions in mm)



Ordering information

Part No.	Type	Description
103 652	Safety Mirror60 with mounting column	Mirror height: 1'050 mm, total height 1'316 mm (including 103 678 and 103 586)
103 653	Mounting column for Safe2+/Safe4	Floor mounting profile (60 x 60 x 1'300 mm) for safety light curtain Safe2+ / Safe4 (including 103 679 and 103 586)
Accessory		
103 678	Mirror floor mounting kit	Mounting accessories for floor mounting plate
103 679	Safe4-Floor mounting kit	Mounting accessories for floor mounting plate and safety light curtain Safe2+ / Safe4
103 586	Floor mounting plate	Mounting plate for Iten profile 0.0.419.09

Other versions on request!

050603 Part No. 001 085 E

CEDES reserves the right to change or modify technical information without notice.